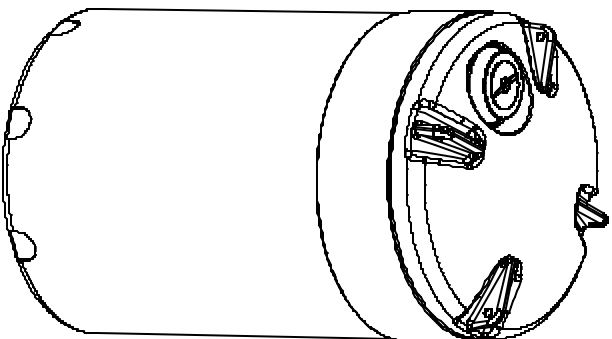
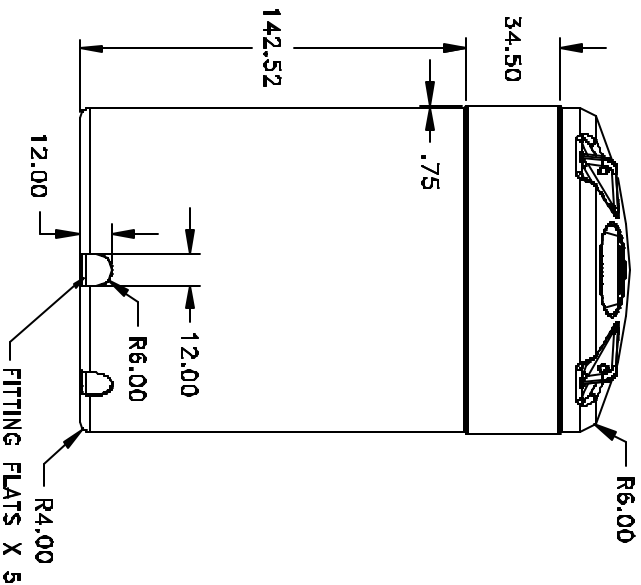
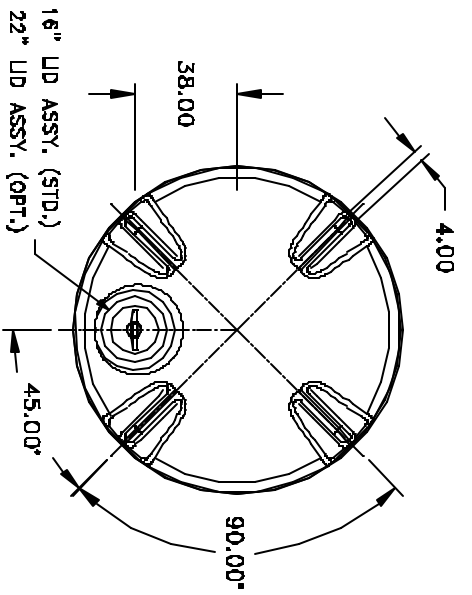
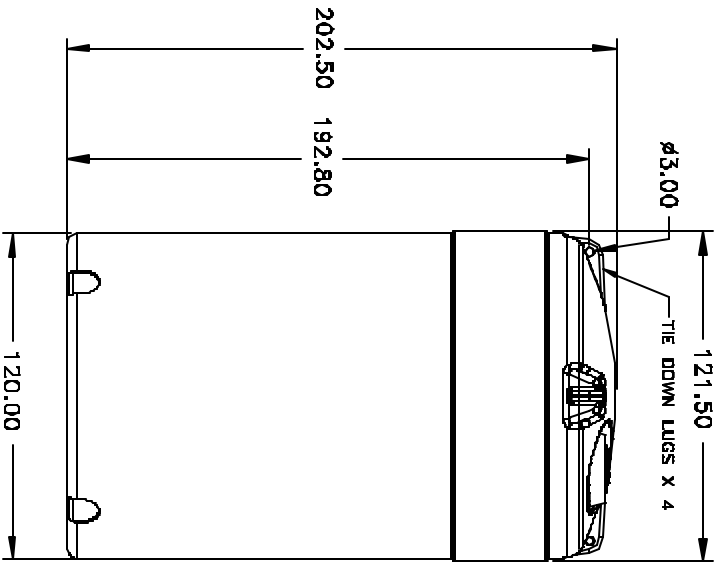


PROPRIETARY DATA

PROPERTY OF ACE ROTO-MOLD MFG., INC. INFORMATION FURNISHED HEREIN IS THE PROPERTY OF ACE ROTO-MOLD MFG., INC. AND SHALL NOT BE USED, DISCLOSED TO OTHERS, OR COPIED WITHOUT THE EXPRESSED WRITTEN CONSENT OF ACE ROTO-MOLD MFG., INC. ALL RIGHTS RESERVED.

VT9150-120

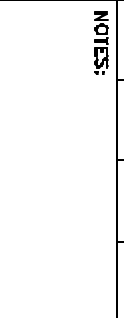


REV	DESCRIPTION	DATE	APPRD	DRAWN / DATE	REH/1/25/02

MATERIAL / SHOT WEIGHT	M111	M134	US25	P938
NOTES:	2200			

ACE ROTO MOLD
 A DIVISION OF DEN HARTOG INDUSTRIES, INC.
 4010 HWY. 50 BLVD., HOSPER, IOWA 51238
 CLIENT / DESCRIPTION
 ACE 9150 GALLON TANK

ALL DIMENSIONS ARE IN DECIMAL INCHES
 TOLERANCES UNLESS OTHERWISE SPECIFIED
 ± .5% @ 88° F



SCALE N.S.
 PART NO. VT9150-120