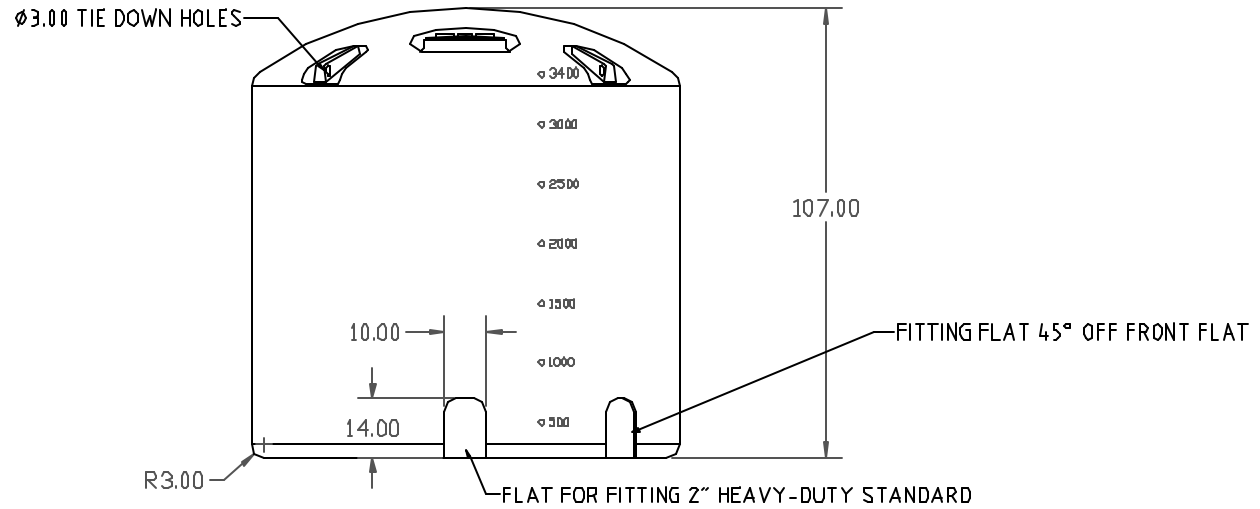
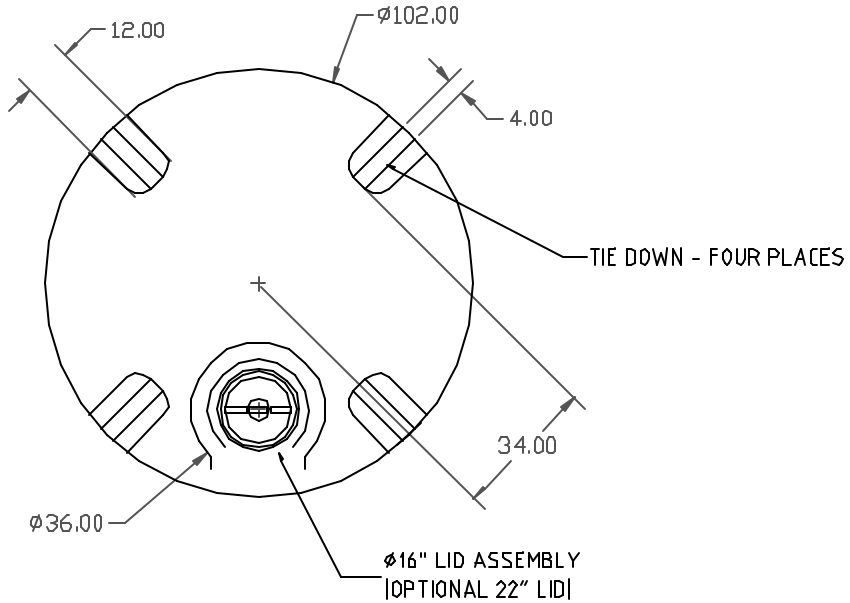

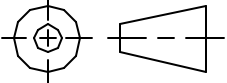


PROPRIETARY DATA

PROPERTY OF ACE ROTO-MOLD MFG., INC. INFORMATION FURNISHED HEREIN IS THE PROPERTY OF ACE ROTO-MOLD MFG., INC. AND SHALL NOT BE USED, DISCLOSED TO OTHERS, OR COPIED WITHOUT THE EXPRESSED WRITTEN CONSENT OF ACE ROTO-MOLD MFG., INC. ALL RIGHTS RESERVED.

VT3400-102



				DRAWN / DATE DHJ 15/19/13		MATERIAL HDPE OR EQUIVALENT REFERENCE MATERIAL DATA SHEET FOR SPECIFIC PROPERTIES.		 A DIVISION OF DEN HARTOG INDUSTRIALING 401B HWY. 60 BLVD., BOX 421, HDSPERS, IA WA 5123B	
				APPRD. / DATE		NOTES: 1. BLACK, WHITE, OR YELLOW COLOR 2. SHOT WEIGHT 585 LBS. 3. .51 THICK AT FLAT			
REV	DESCRIPTION	DATE	APPRD	THIRD ANGLE PROJECTION ANSI 1:5:1 				CLIENT / DESCRIPTION 3400 GALLON VERTICAL TANK	
ALL DIMENSIONS ARE IN DECIMAL INCHES TOLERANCES UNLESS OTHERWISE SPECIFIED ± 1% @ 68° F								SCALE N.S.	