

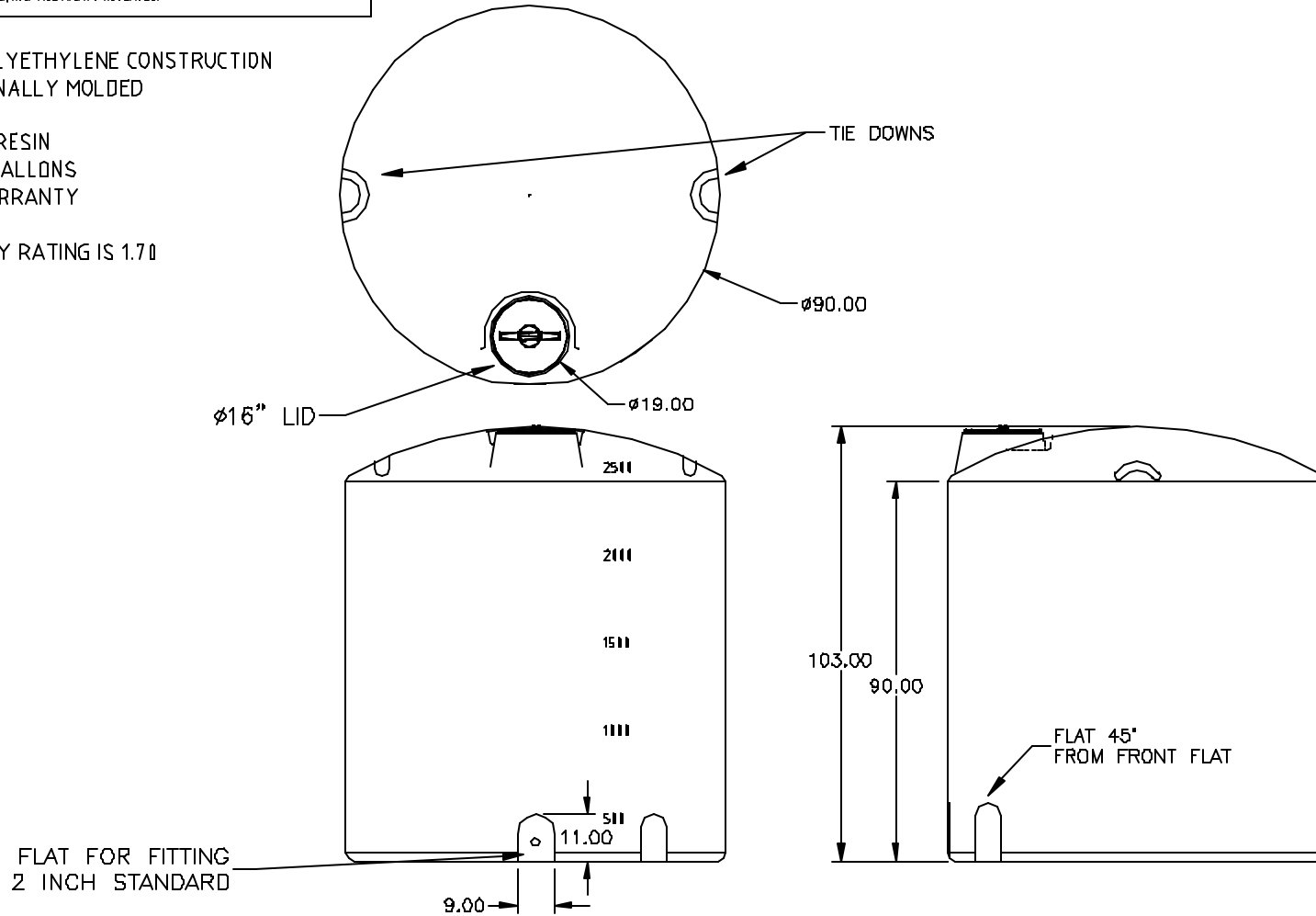
PROPRIETARY DATA

VT2500-90

PROPERTY OF ACE ROTO-MOLD MFG, INC. INFORMATION FURNISHED HEREIN IS THE PROPERTY OF ACE ROTO-MOLD MFG, INC. AND SHALL NOT BE USED, DISCLOSED TO OTHERS, OR COPIED WITHOUT THE EXPRESSED WRITTEN CONSENT OF ACE ROTO-MOLD MFG, INC. ALL RIGHTS RESERVED.

FEATURES

1. HEAVY DUTY POLYETHYLENE CONSTRUCTION
2. 1 PIECE ROTATIONALLY MOLDED
3. TRANSLUCENT
4. FDA APPROVED RESIN
5. CALIBRATED IN GALLONS
6. THREE YEAR WARRANTY
7. UV STABILIZED
8. SPECIFIC GRAVITY RATING IS 1.70



				DRAWN / DATE NVE 6/11/15	MATERIAL
				APPRD. / DATE DHJ 6/21/15	HDPE OR EQUIVALENT REFERENCE MATERIAL DATA SHEET FOR SPECIFIC PROPERTIES.
REV	DESCRIPTION	DATE	APPRD		
ALL DIMENSIONS ARE IN DECIMAL INCHES TOLERANCES UNLESS OTHERWISE SPECIFIED ± 1% @ 68° F				THIRD ANGLE PROJECTION ANSI 15.5	NOTES: 1. .35" THICK AT FITTING 2. BLACK, GREEN, WHITE, OR YELLOW COLOR 3. SHOT WEIGHT 42" LBS.



CLIENT / DESCRIPTION 2500 GALLON VERTICAL TANK	
SCALE N.S.	PART NO. VT2500-90