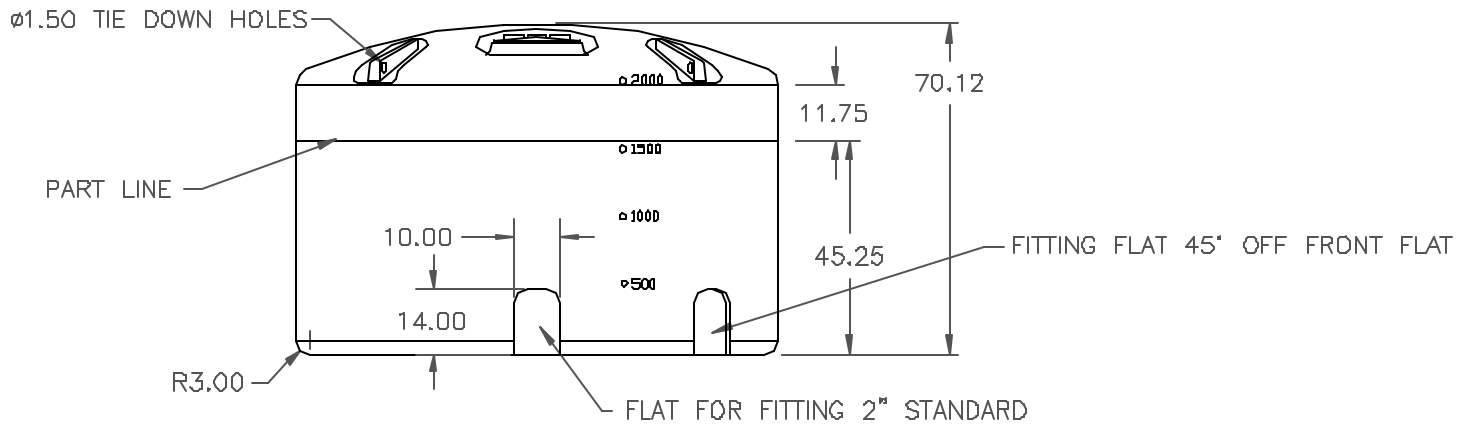
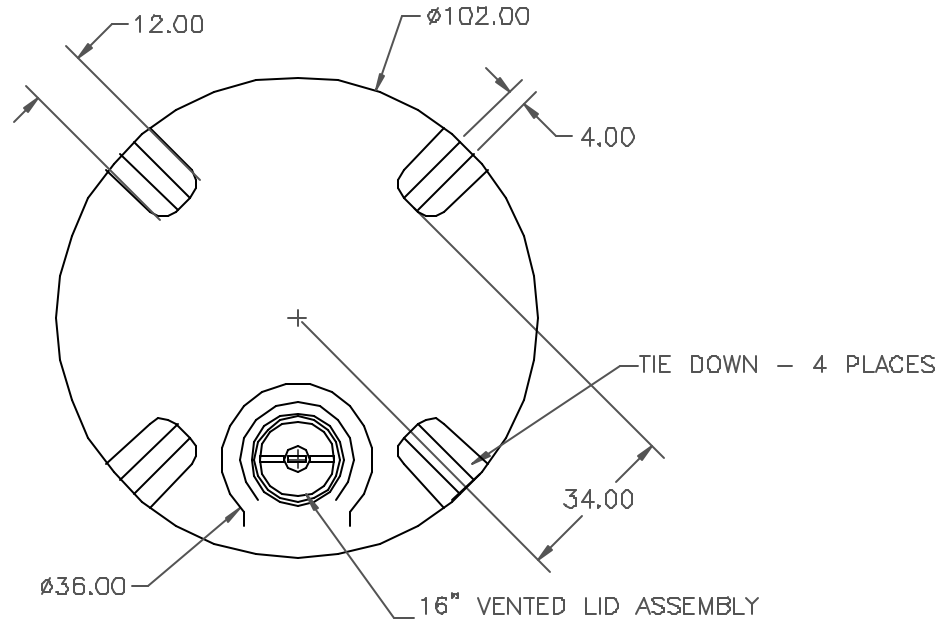



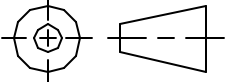
PROPRIETARY DATA

PROPERTY OF ACE ROTO-MOLD MFG., INC. INFORMATION FURNISHED HEREIN IS THE PROPERTY OF ACE ROTO-MOLD MFG., INC. AND SHALL NOT BE USED, DISCLOSED TO OTHERS, OR COPIED WITHOUT THE EXPRESSED WRITTEN CONSENT OF ACE ROTO-MOLD MFG., INC. ALL RIGHTS RESERVED.

VT2150-102

A



		DRAWN / DATE DHJ 6/14/15		MATERIAL		 Ace Roto-Mold A DIVISION OF DEN HARTOG INDUSTRIAL INC. 401B HWY. 60 BLVD., BOX 421, HOSPERS, IOWA 51238	
A FINALIZE PART		9/8/05		HDPE OR EQUIVALENT REFERENCE MATERIAL DATA SHEET FOR SPECIFIC PROPERTIES.			
REV	DESCRIPTION	DATE	APPROD.	NOTES:		CLIENT / DESCRIPTION	
				1. NOM. WALL @ .315 2. SHOT WEIGHT 4.15 LBS. 3. WHITE OR YELLOW COLOR		2151 GALLON VERTICAL TANK	
ALL DIMENSIONS ARE IN DECIMAL INCHES TOLERANCES UNLESS OTHERWISE SPECIFIED ± 1% @ 68° F				THIRD ANGLE PROJECTION ANSI 1:5:1 		SCALE	PART NO.
						N.S.	VT2150-102