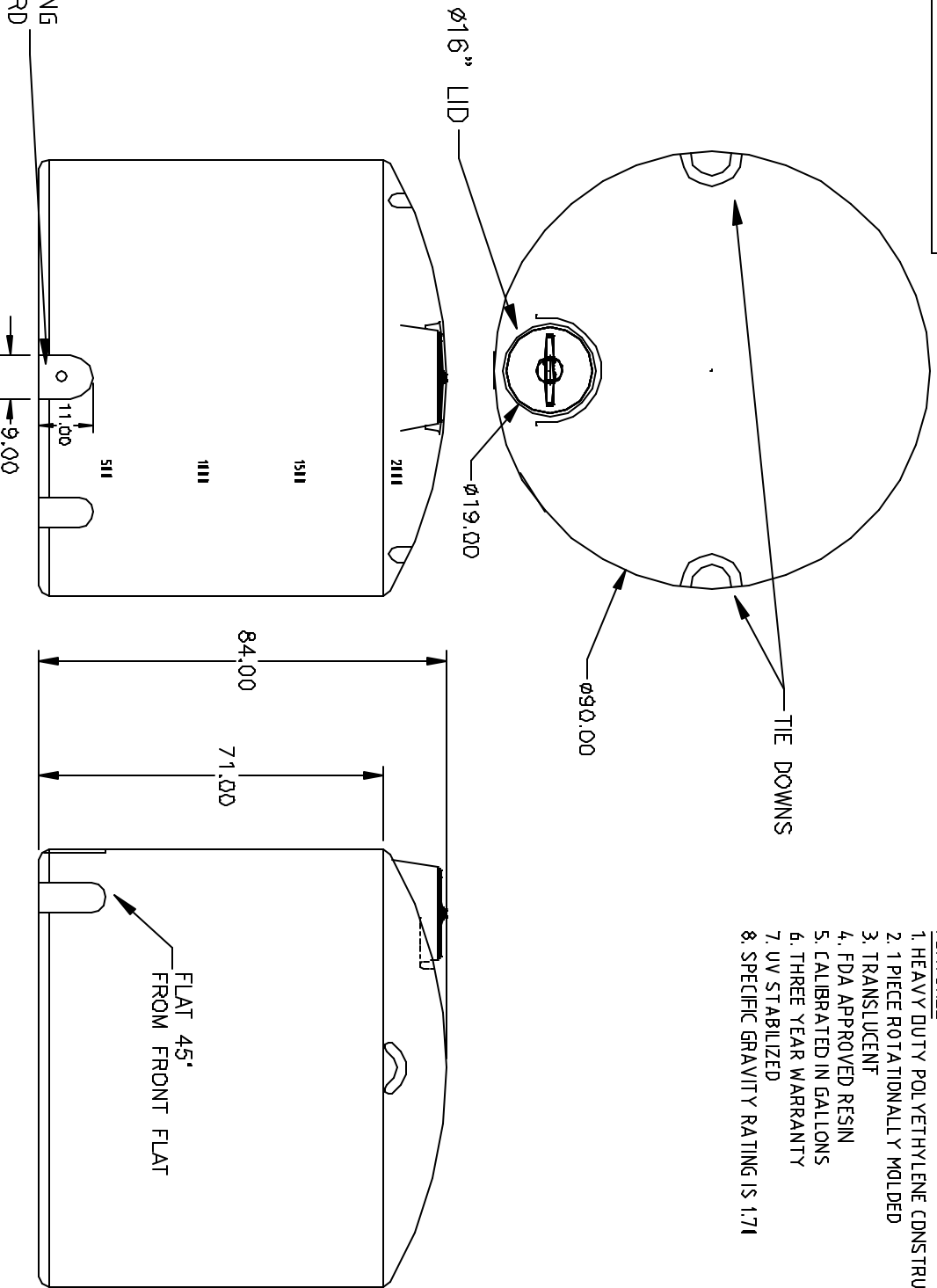


PROPRIETARY DATA

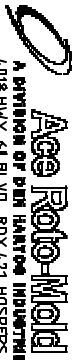
PROPERTY OF ACE ROTOMOLD MFG. INC. INFORMATION FURNISHED HEREIN IS THE PROPERTY OF ACE ROTOMOLD MFG. INC. AND SHALL NOT BE USED, DISCLOSED TO OTHERS, OR COPIED WITHOUT THE EXPRESSED WRITTEN CONSENT OF ACE ROTOMOLD MFG. INC. ALL RIGHTS RESERVED.

VT2100-90



- FEATURES
1. HEAVY DUTY POLYETHYLENE CONSTRUCTION
 2. 1 PIECE ROTATIONALLY MOLDED
 3. TRANSLUCENT
 4. FDA APPROVED RESIN
 5. CALIBRATED IN GALLONS
 6. THREE YEAR WARRANTY
 7. UV STABILIZED
 8. SPECIFIC GRAVITY RATING IS 1.71

REV	DESCRIPTION	DATE	APPRD	DRAWN / DATE	MATERIAL
				NVE 6/11/15	
				APPRD. / DATE	
				DHJ 6/21/15	



Ace Rotomold

 A DIVISION OF BEN HANTON INDUSTRIES

 4018 HWY. 61 BLVD., BOX 471, HOSPERS, INDIANA 51238

CLIENT / DESCRIPTION: 2010 GALLON VERTICAL TANK

ALL DIMENSIONS ARE IN DECIMAL INCHES
 TOLERANCES UNLESS OTHERWISE SPECIFIED
 + 1% @ 68° F

THIRD ANGLE PROJECTION
 ANSI X3.1

NOTES:
 1. .351 THICK AT FITTING
 2. WHITE, YELLOW, BLUE, OR BLACK COLOR
 3. SHOT WEIGHT 375 LBS.

HOPE OR EQUIVALENT
 REFERENCE MATERIAL DATA SHEET
 FOR SPECIFIC PROPERTIES.

SCALE: N.S.
 PART NO.: VT2000-90