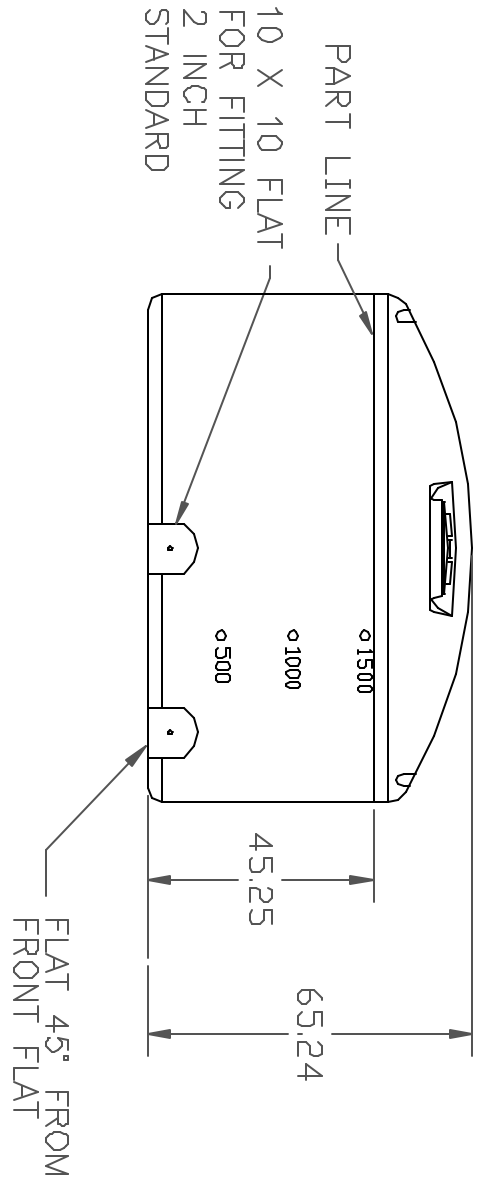
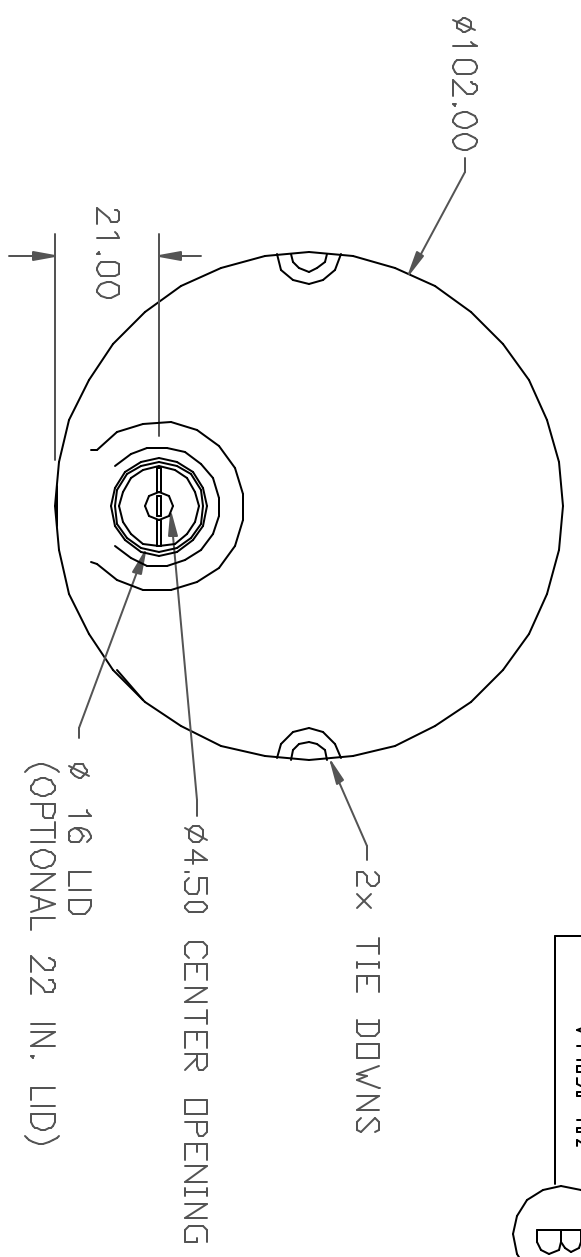


PROPRIETARY DATA

PROPERTY OF ACE ROTOMOLD MFG. INC. INFORMATION FURNISHED HEREIN IS THE PROPERTY OF ACE ROTOMOLD MFG. INC. AND SHALL NOT BE USED, DISCLOSED TO OTHERS, OR COPIED WITHOUT THE EXPRESSED WRITTEN CONSENT OF ACE ROTOMOLD MFG. INC. ALL RIGHTS RESERVED.

VT185J-102

B



REV	DESCRIPTION	DATE	APPROD
B	CHANGE OPTIONAL LID TO 22"	9/8/15	
A	FINALIZE PART	9/8/15	

DRAWN / DATE
DHJ 6/14/15

APPROD. / DATE

MATERIAL

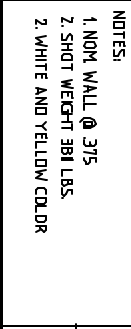
NOTES:
1. NOM WALL @ .375
2. SHOT WEIGHT 381 LBS.
3. WHITE AND YELLOW COLOR

NOTE: HOLE OR EQUIVALENT REFERENCE MATERIAL DATA SHEET FOR SPECIFIC PROPERTIES.

THIRD ANGLE PROJECTION AND 1/8" = 1'

CLIENT / DESCRIPTION
1851 GALLON VERTICAL TANK

ALL DIMENSIONS ARE IN DECIMAL INCHES
TOLERANCES UNLESS OTHERWISE SPECIFIED
 $\pm 1\% @ 68^\circ F$



SCALE N.S.

PART NO. VT1850-102

ACE ROTOMOLD
A DIVISION OF WEA HARTIG INDUSTRIAL INC.
4018 HWY. 60 BLVD., BOX 421, HOSPER, IOWA 5238