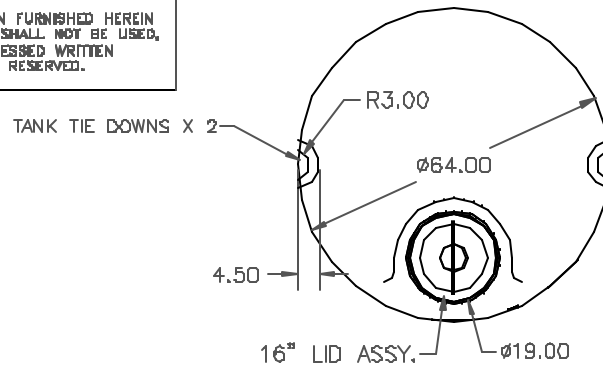


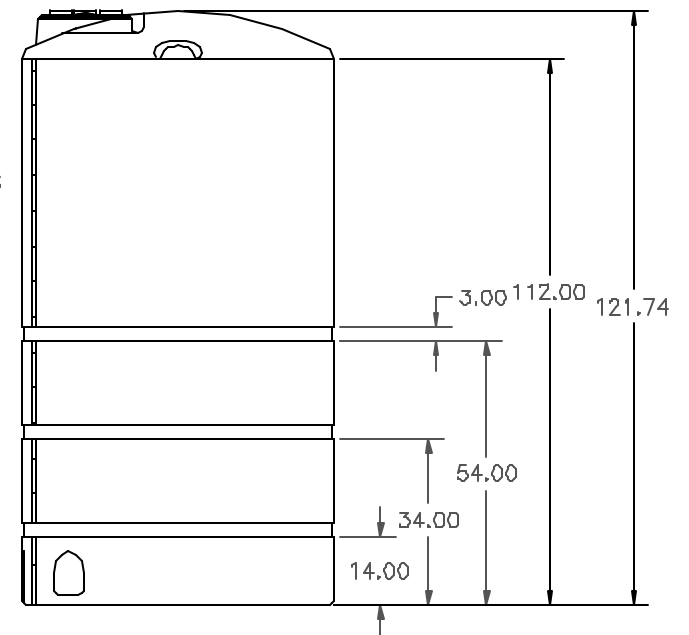
**PROPRIETARY DATA**


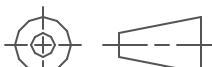
PROPERTY OF ACE ROTO-MOLD MFG., INC. INFORMATION FURNISHED HEREIN IS THE PROPERTY OF ACE ROTO-MOLD MFG., INC. AND SHALL NOT BE USED, DISCLOSED TO OTHERS, OR COPIED WITHOUT THE EXPRESSED WRITTEN CONSENT OF ACE ROTO-MOLD MFG., INC. ALL RIGHTS RESERVED.

VT1525-64



1. HEAVY DUTY POLYETHYLENE CONSTRUCTION
2. 1 PIECE ROTATIONALLY MOLDED
3. TRANSLUCENT
4. FDA APPROVED RESIN
5. CALIBRATED IN GALLONS
6. THREE YEAR WARRANTY
7. UV STABILIZED



			DRAWN / DATE DHJ/1/2/03	MATERIAL / SHOT WEIGHT	 <b>Ace Roto-Mold</b> A DIVISION OF DEN HARTOG INDUSTRIES, INC.
			APPRD. / DATE	350 LBS.	
REV	DESCRIPTION	DATE APPRD.			ACE 1525 GALLON VERTICAL TANK
ALL DIMENSIONS ARE IN DECIMAL INCHES TOLERANCES UNLESS OTHERWISE SPECIFIED $\pm 1\% @ 68^{\circ}F$			THIRD ANGLE PROJECTION ANSI 14.5M 	NOTES: 1.NOM. WALL .340	SCALE N.S.
					PART NO. VT1525-64