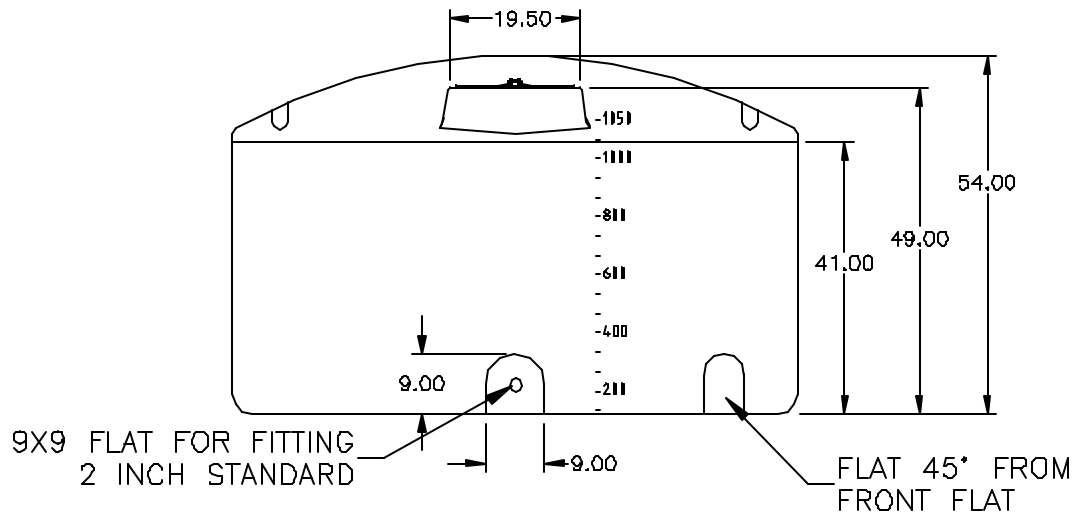
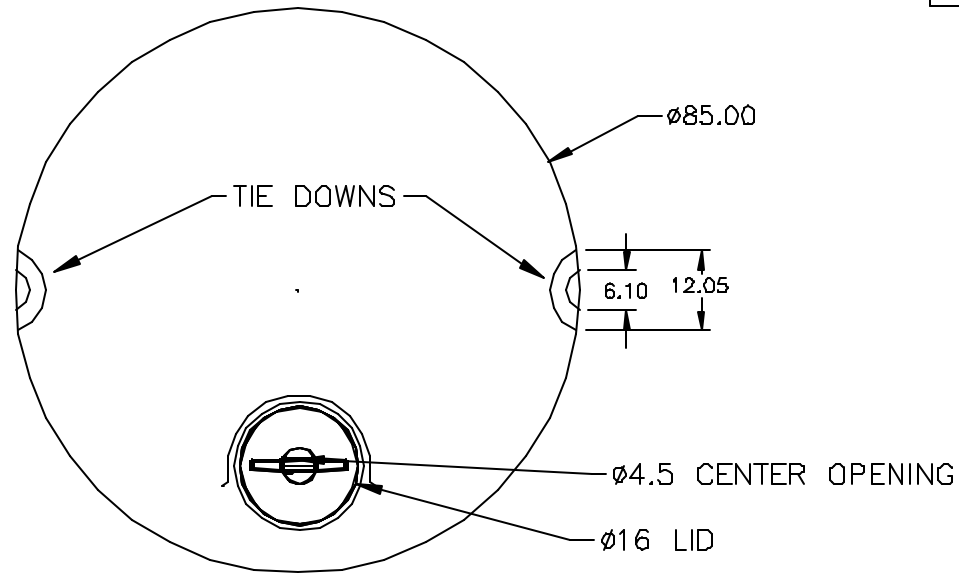

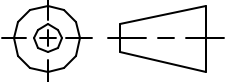


PROPRIETARY DATA

PROPERTY OF ACE ROTO-MOLD MFG., INC. INFORMATION FURNISHED HEREIN IS THE PROPERTY OF ACE ROTO-MOLD MFG., INC. AND SHALL NOT BE USED, DISCLOSED TO OTHERS, OR COPIED WITHOUT THE EXPRESSED WRITTEN CONSENT OF ACE ROTO-MOLD MFG., INC. ALL RIGHTS RESERVED.

VT1150-85



		DRAWN / DATE NVE 6/13/15		MATERIAL		 Ace Roto-Mold A DIVISION OF BEN HARTOG INDUSTRIES, INC. 4018 HWY. 60 BLVD., BOX 421, HOSPERS, IOWA 51238	
		APPRD. / DATE DHJ 6/21/15		HDPE OR EQUIVALENT REFERENCE MATERIAL DATA SHEET FOR SPECIFIC PROPERTIES.			
REV	DESCRIPTION	DATE	APPRD.	CLIENT / DESCRIPTION 1050 GALLON VERTICAL TANK		SCALE N.S.	
ALL DIMENSIONS ARE IN DECIMAL INCHES TOLERANCES UNLESS OTHERWISE SPECIFIED $\pm 1\% @ 68^\circ F$				THIRD ANGLE PROJECTION ANSI 1:5:1 		PART NO. VT1050-85	
				NOTES: 1. .191 THICK AT FITTING 2. WHITE OR COLOR 3. SHOT WEIGHT 191 LBS.			