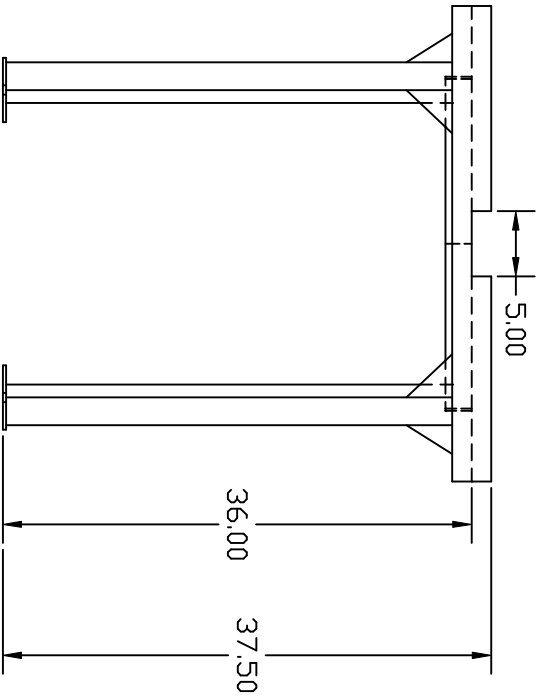
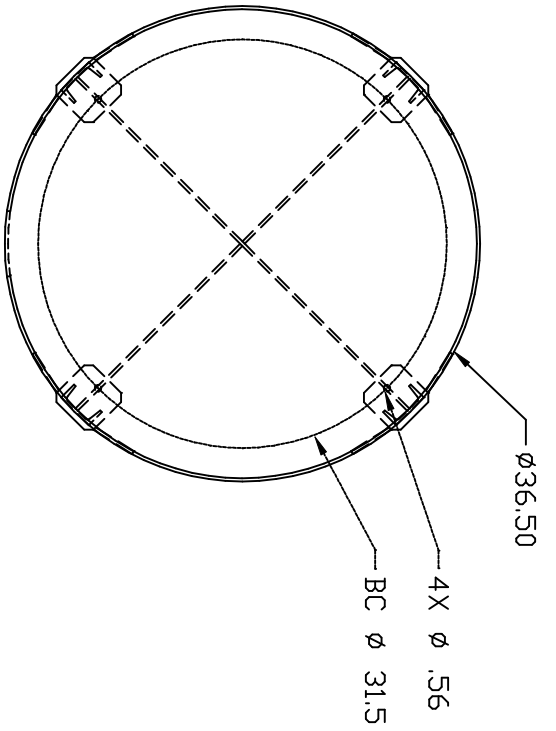


VT0300-35ST



DRAWN / DATE
DHJ/2/17/03
APPRD. / DATE

MATERIAL / SHOT WEIGHT

114 LBS.

NOTES:

THIRD ANGLE PROJECTION
ANSI 14.5M



CLIENT / DESCRIPTION

STAND FOR 300 GALLON VERTICAL TANK

SCALE

NONE

PART NO.

VT0300-35ST

REV

DESCRIPTION

DATE APPRD.

ALL DIMENSIONS ARE IN DECIMAL INCHES
TOLERANCES UNLESS OTHERWISE SPECIFIED

$\pm 1\%$ @ 68° F



Ace Roto-Mold

A DIVISION OF DEN HARTOG INDUSTRIES, INC.