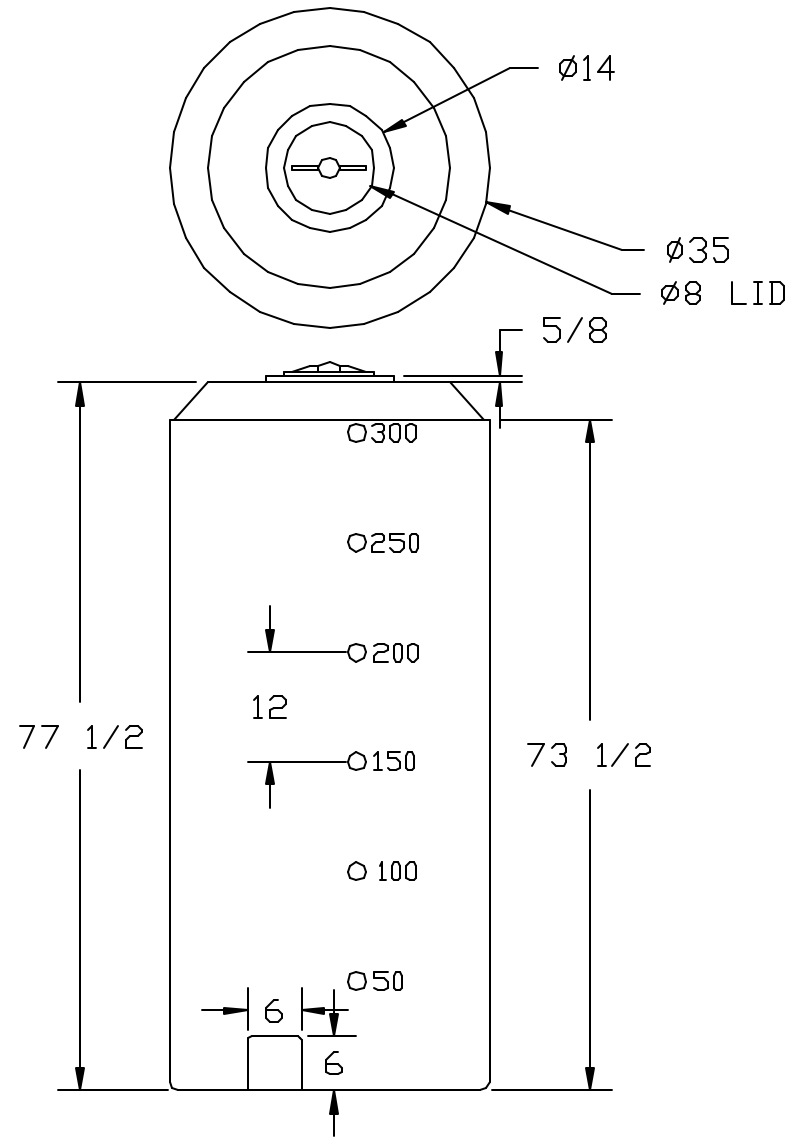


1. 1 PIECE ROTATIONALLY MOLDED
2. SPECIFIC GRAVITY 1.75
3. TRANSLUCENT
4. UV STABILIZED
5. FDA APPROVED RESIN
6. CALIBRATED IN GAL.
7. 3 YEAR WARRANTY
8. LARGER LID AVAILABLE



				DRAWN DEAN	DATE 12-10-93	MATERIAL HIGH DENSITY POLYETHYLENE	ACE ROTO-MOLD	
				APPROVED	DATE		PART NO. VT0300-35	
REV	DESCRIPTION	DATE	APVD				SIZE A	REV
SCALE NONE				THIRD ANGLE PROJECTION		PART WEIGHT 86 LBS.	VT0300-35	
UDS DIMENSIONS ARE IN INCHES GENERAL TOLERANCES $\pm .5\%$ @ 68° F								