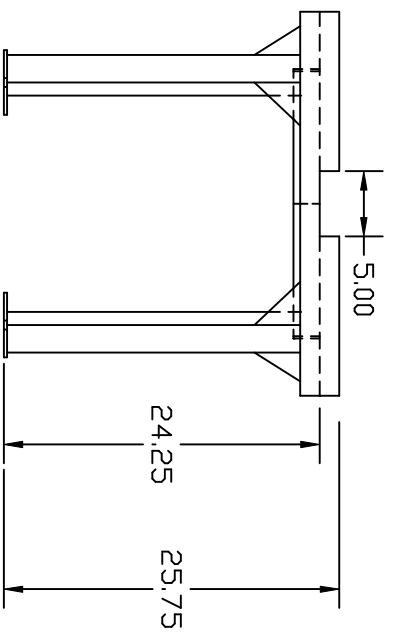
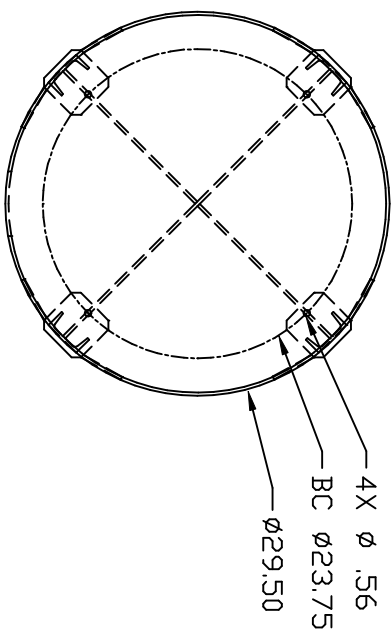




VT0160-28ST



| | | | | | |
|---|--|--|--|---|--|
| DRAWN / DATE DHJ/2/17/03 | | MATERIAL / SHOT WEIGHT 83 LBS. | |  Ace Roto-Mold A DIVISION OF DEN HARTOG INDUSTRIES, INC. | |
| APPRD. / DATE | | NOTES: | | | |
| THIRD ANGLE PROJECTION ANSI 14.5M | |  | | CLIENT / DESCRIPTION STAND FOR 160 GALLON VERTICAL TANK | |
| ALL DIMENSIONS ARE IN DECIMAL INCHES TOLERANCES UNLESS OTHERWISE SPECIFIED ± 1% @ 68° F | | SCALE NONE | | PART NO. VT0160-28ST | |