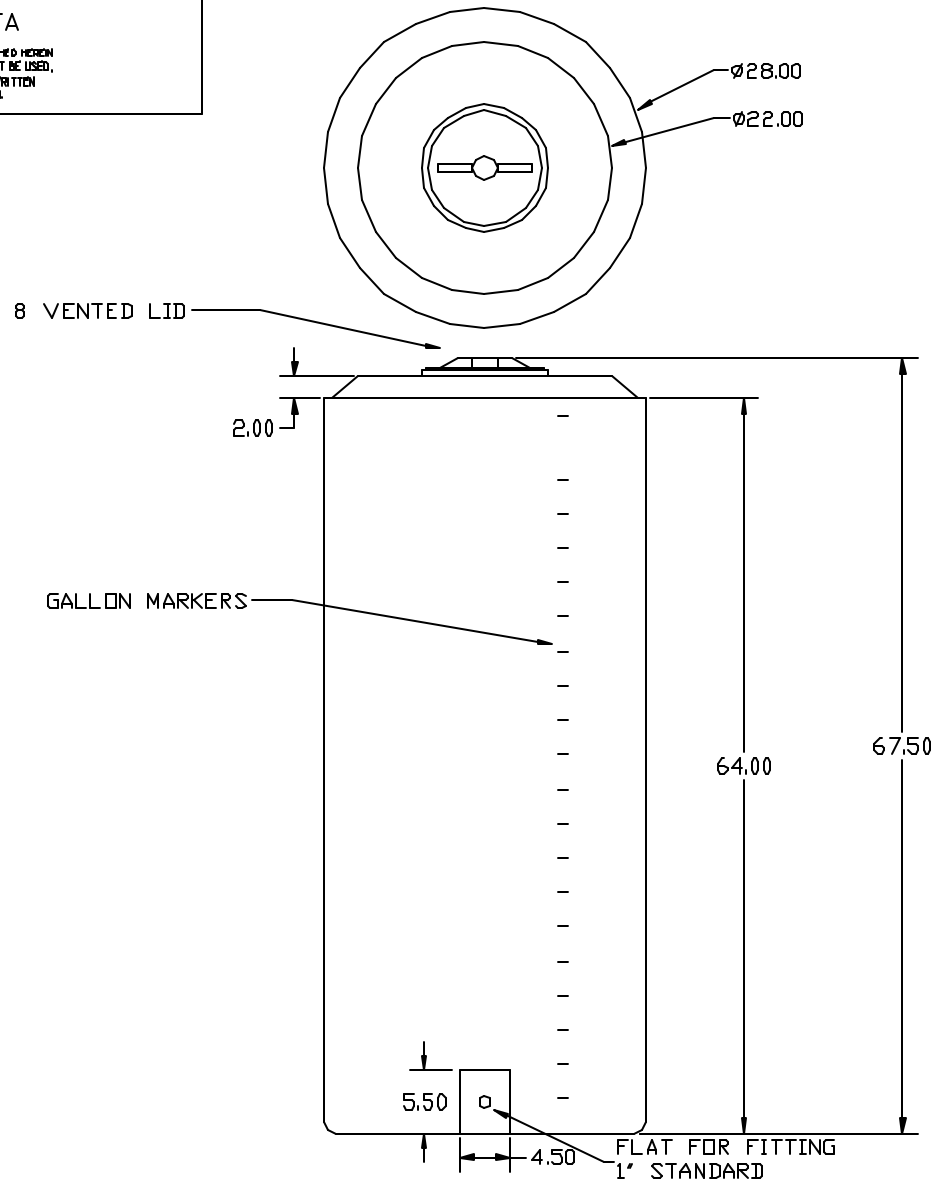

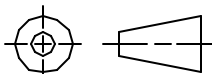


PROPRIETARY DATA

PROPERTY OF ACE ROTO-MOLD MFG., INC. INFORMATION FURNISHED HEREIN IS THE PROPERTY OF ACE ROTO-MOLD MFG., INC. AND SHALL NOT BE USED, DISCLOSED TO OTHERS, OR COPIED WITHOUT THE EXPRESSED WRITTEN CONSENT OF ACE ROTO-MOLD MFG., INC. ALL RIGHTS RESERVED.

VT0160-28



		DRAWN / DATE DHJ 4/29/03		MATERIAL / SHOT WEIGHT POLYETHYLENE 56 LBS.		 <b>Ace Roto-Mold</b> A DIVISION OF DEN HARTOG INDUSTRIES, INC.	
		APPRD. / DATE					
REV	DESCRIPTION	DATE	APPRD.	THIRD ANGLE PROJECTION ANSI 14.5M 		SCALE NONE	
ALL DIMENSIONS ARE IN DECIMAL INCHES TOLERANCES UNLESS OTHERWISE SPECIFIED $\pm 1\% @ 68^\circ F$						NOTES: 1. BLACK, GREY, WHITE OR YELLOW COLOR 2. .25 NOM. WALL	