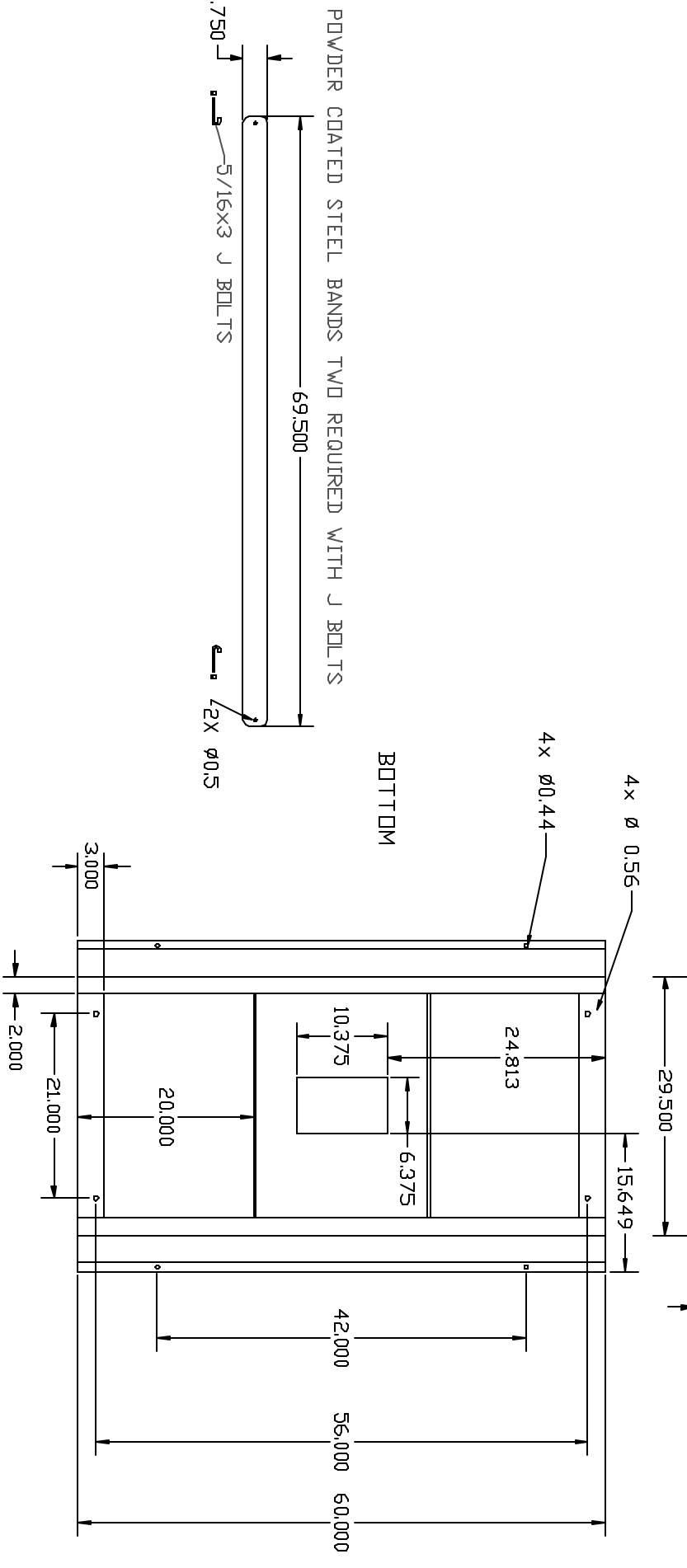
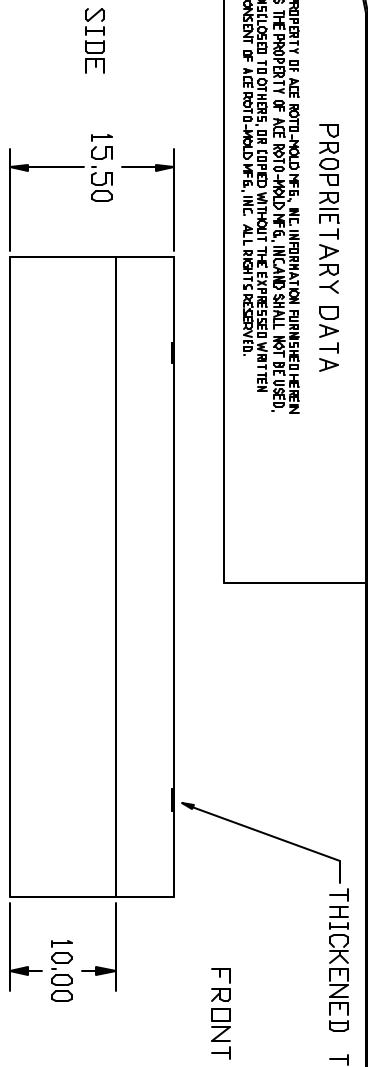


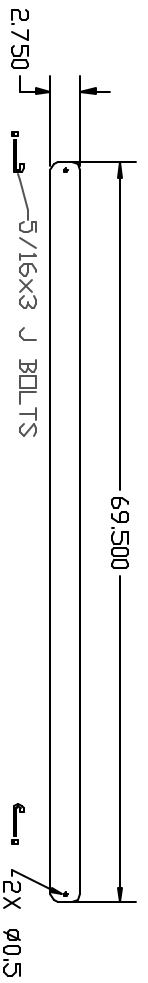
PROPRIETARY DATA

PROPERTY OF ACE ROTO-MOLD MFG. INC. INFORMATION FURNISHED HEREIN IS THE PROPERTY OF ACE ROTO-MOLD MFG. INC. AND SHALL NOT BE USED, DISCLOSED TO OTHERS, OR COPIED WITHOUT THE EXPRESSED WRITTEN CONSENT OF ACE ROTO-MOLD MFG. INC. ALL RIGHTS RESERVED.

HZ0300-C

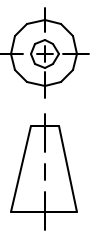


POWDER COATED STEEL BANDS TWO REQUIRED WITH J BOLTS



REV	DESCRIPTION	DATE	APPRO	DRAWN / DATE	MATERIAL
				NVE 7/8/15	
				APPRO. / DATE	STEBL
				DHL 9/27/15	

THIRD ANGLE PROJECTION  
ANSI Z39.1-1975



NOTES:

- 1. POWDER COATED - BLACK COLOR
- 2. WEIGHT 14.5 LBS.

CLIENT / DESCRIPTION

CRADLE FOR 300 GALLON HORIZONTAL TANK



SCALE

N.S.

PART NO.

HZ0300-C

ALL DIMENSIONS ARE IN DECIMAL INCHES  
TOLERANCES UNLESS OTHERWISE SPECIFIED  
± 1% @ 68° F