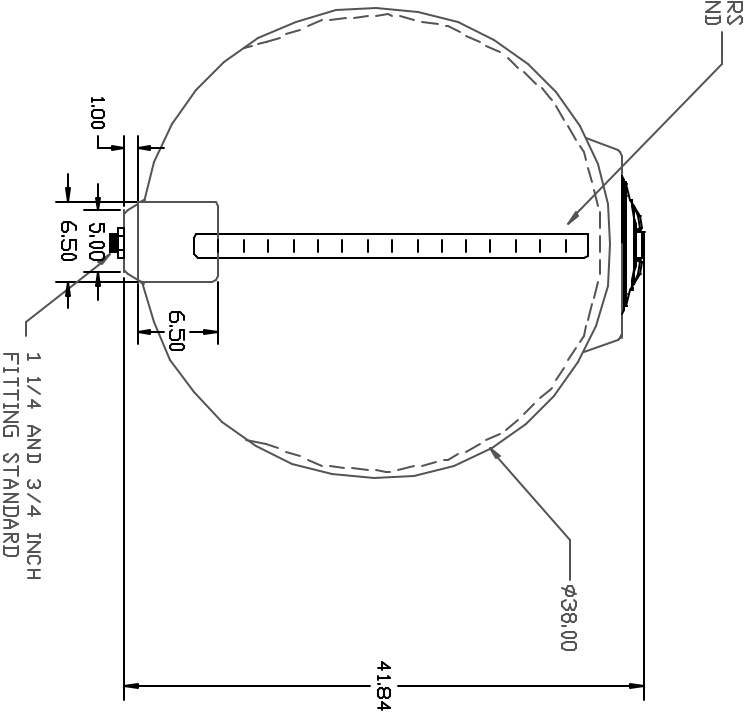
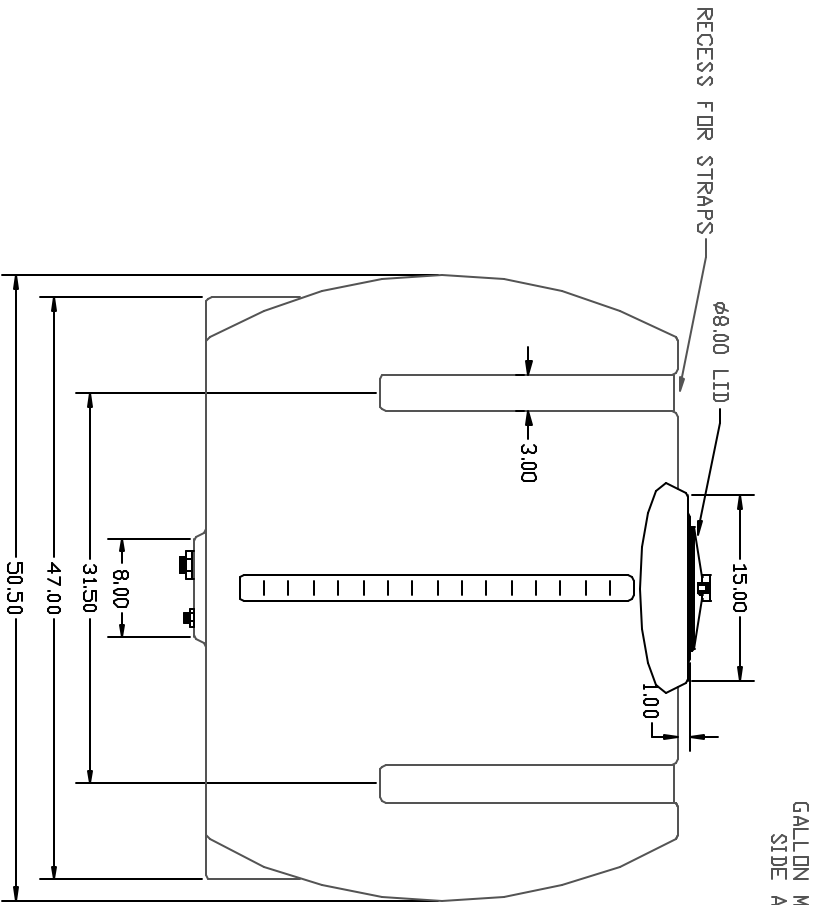


PROPRIETARY DATA

PROPERTY OF ACE ROTOMOLD MFG. INC. INFORMATION FURNISHED HEREIN IS THE PROPERTY OF ACE ROTOMOLD MFG. INC. AND SHALL NOT BE USED, DISCLOSED TO OTHERS, OR COPIED WITHOUT THE EXPRESSED WRITTEN CONSENT OF ACE ROTOMOLD MFG. INC. ALL RIGHTS RESERVED.

HZ0200-38



REV	DESCRIPTION	DATE	APPRD

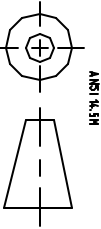
DRAWN / DATE

NVE 6/8/15

APPRD. / DATE

DHJ 6/21/15

THIRD ANGLE PROJECTION
ANSI X1.18



MATERIAL

HDPE OR EQUIVALENT
REFER TO MATERIAL DATA SHEET
FOR SPECIFIC PROPERTIES.

NOTES:

1. NOM. WALL @ .211
2. WHITE OR COLDR
3. SHOT WEIGHT 64 LBS.

CLIENT / DESCRIPTION



210 GALLON HORIZONTAL TANK

138" DIAI

SCALE

N.S.

PART NO.

HZ0200-38

ALL DIMENSIONS ARE IN DECIMAL INCHES
TOLERANCES UNLESS OTHERWISE SPECIFIED

± 1% @ 68° F