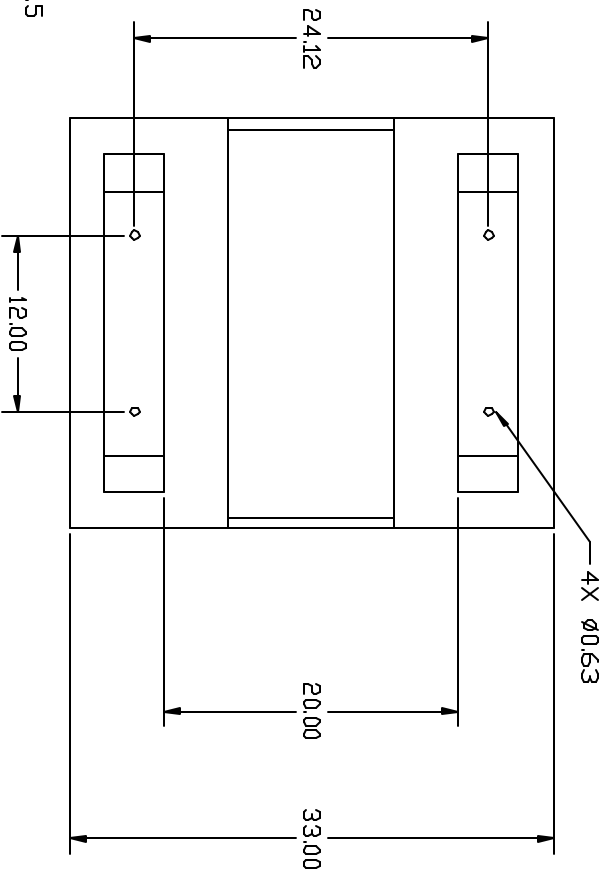
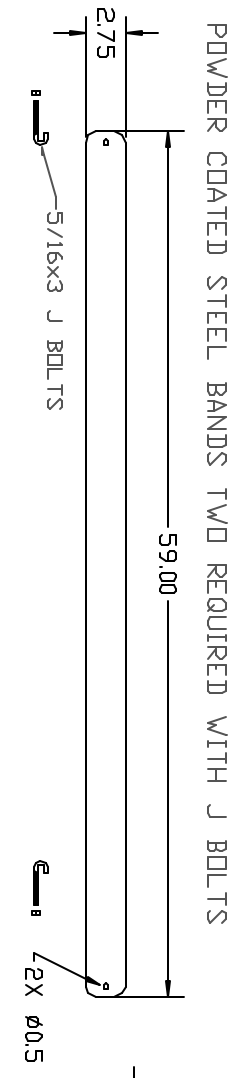
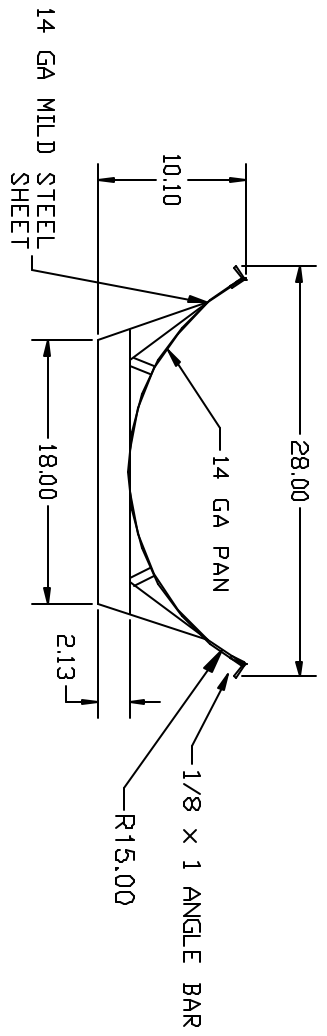
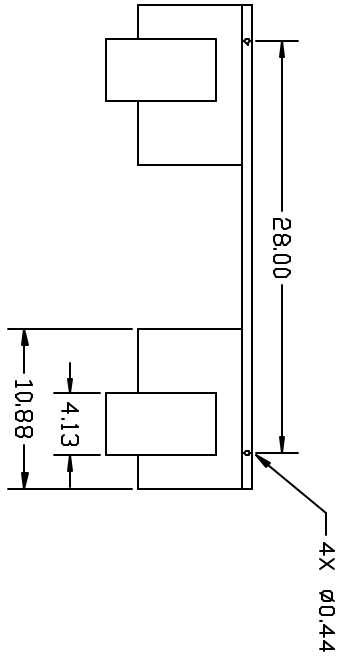


PROPRIETARY DATA

HZ0110-C

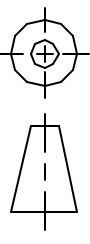
PROPERTY OF ACE ROTO-MOLD MFG., INC. INFORMATION FURNISHED HEREIN IS THE PROPERTY OF ACE ROTO-MOLD MFG., INC. AND SHALL NOT BE USED, DISCLOSED TO OTHERS, OR COPIED WITHOUT THE EXPRESSED WRITTEN CONSENT OF ACE ROTO-MOLD MFG., INC. ALL RIGHTS RESERVED.



POWDER COATED STEEL BANDS TWO REQUIRED WITH J BOLTS


REV	DESCRIPTION	DATE	APPRO	DRAWN / DATE	MATERIAL
				NVE 7/6/15	STEBL
				APPRO. / DATE DHL 9/27/15	

THIRD ANGLE PROJECTION
ANSI Z39.1



NOTES:

- 1. POWDER COATED - BLACK COLOR
- 2. WEIGHT 4# LBS.


Ace Roto-Mold
 A DIVISION OF DEER HARBOR INDUSTRIES, INC.
 4018 HWY. 60 BLVD., BOX 421, HOSPERS, IOWA 5238

CLIENT / DESCRIPTION
CRADLE FOR 110 GALLON HORIZONTAL

SCALE

N.S.

PART NO.

HZ0110-C

ALL DIMENSIONS ARE IN DECIMAL INCHES
TOLERANCES UNLESS OTHERWISE SPECIFIED
± 1% @ 68° F