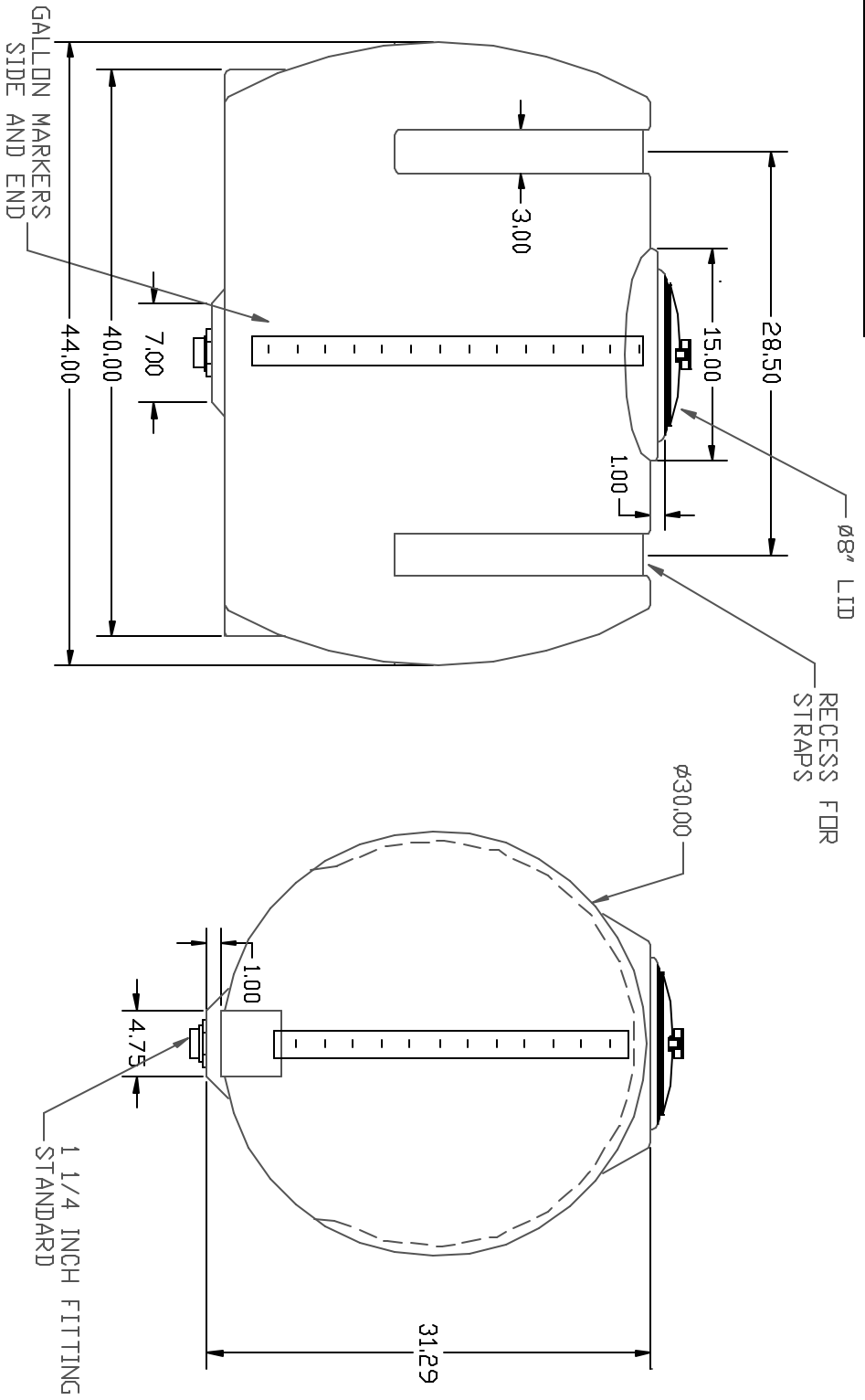


PROPRIETARY DATA

PROPERTY OF ACE ROTO-MOLD MFG. INC. INFORMATION FURNISHED HEREIN IS THE PROPERTY OF ACE ROTO-MOLD MFG. INC. AND SHALL NOT BE USED, DISCLOSED TO OTHERS, OR COPIED WITHOUT THE EXPRESSED WRITTEN CONSENT OF ACE ROTO-MOLD MFG. INC. ALL RIGHTS RESERVED.

HZ0110-30



REV	DESCRIPTION	DATE	APPRD

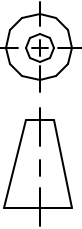
DRAWN / DATE

NVE 6/7/15

APPRD. / DATE

DHJ 6/21/15

THIRD ANGLE PROJECTION
ANSI X3.1



MATERIAL

HDPB OR EQUIVALENT
REPRODUCE MATERIAL DATA SHEET
FOR SPECIFIC PROPERTIES.

NOTES:

1. NOM. WALL @ 2011
2. WHITE OR COLDR
3. SHOT WEIGHT 4.0 LBS.

CLIENT / DESCRIPTION

110 GALLON HORIZONTAL TANK 30" DIA



4018 HWY. 61 BL. VD., BOX 471, HOSPERS, IOWA 52388

SCALE

N.S.

PART NO.

HZ0110-30

ALL DIMENSIONS ARE IN DECIMAL INCHES
TOLERANCES UNLESS OTHERWISE SPECIFIED
± 1% @ 68° F