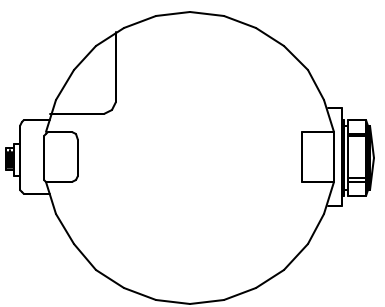
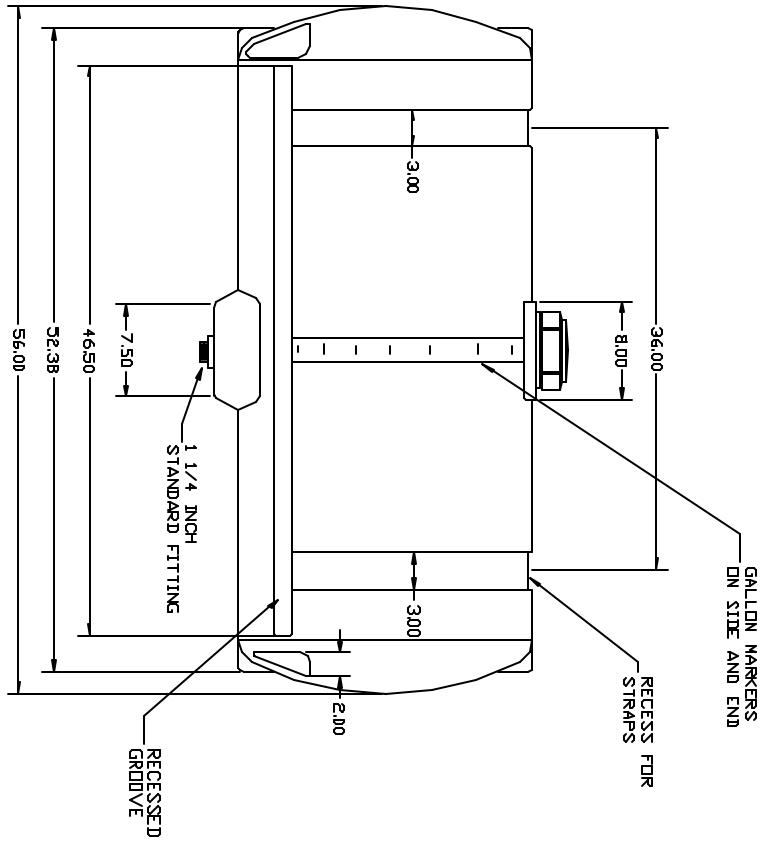
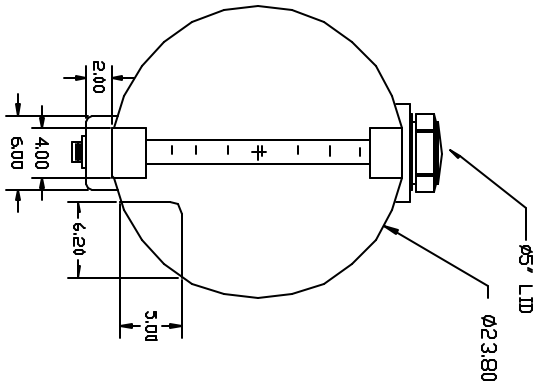


PROPRIETARY DATA

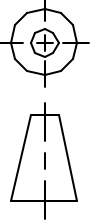
PROPERTY OF ACE ROTOMOLD MFG. INC. INFORMATION FURNISHED HEREIN IS THE PROPERTY OF ACE ROTOMOLD MFG. INC. AND SHALL NOT BE USED, DISCLOSED TO OTHERS, OR COPIED WITHOUT THE EXPRESSED WRITTEN CONSENT OF ACE ROTOMOLD MFG. INC. ALL RIGHTS RESERVED.

HZ0095-24



REV	DESCRIPTION	DATE	APPRO	DRAWN / DATE	MATERIAL
				NVE 6/7/15	
				APPRO. / DATE	
				DHL 6/27/15	

THIRD ANGLE PROJECTION  
ANSI 15.1



NOTE OR EQUIVALENT  
REFERENCE MATERIAL DATA SHEET  
FOR SPECIFIC PROPERTIES.

- NOTES:
- 1. NOM. WALL @ 2011
  - 2. WHITE DR COLOR
  - 3. SHOT WEIGHT 35 LBS.

CLIENT / DESCRIPTION

**Ace Roto-Mold**  
A DIVISION OF ACE HARTON INDUSTRIES, INC.  
4018 HWY. 60 BLVD., BOX 421, HOSPERS, IOWA 5238

95 GALLON

HORIZONTAL TANK

SCALE

N.S.

PART NO.

HZ0095-24

ALL DIMENSIONS ARE IN DECIMAL INCHES  
TOLERANCES UNLESS OTHERWISE SPECIFIED  
± 1% @ 68° F