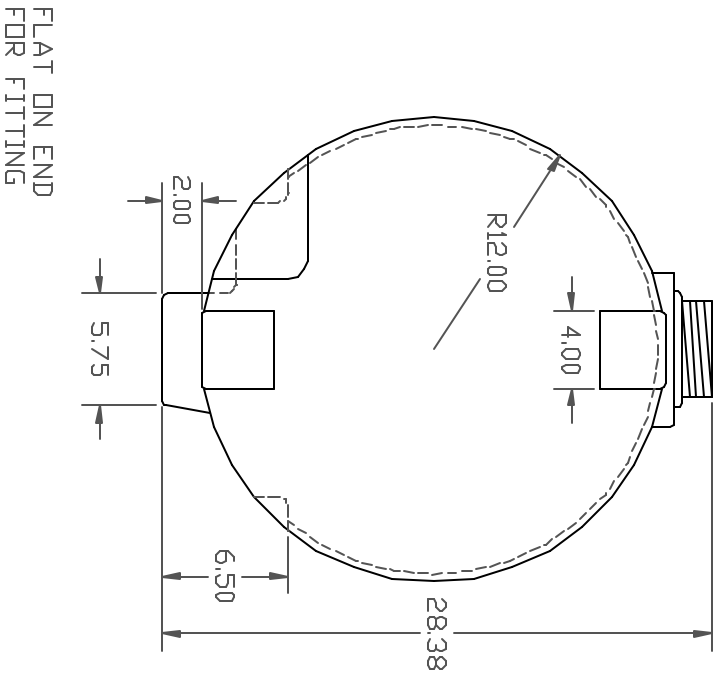
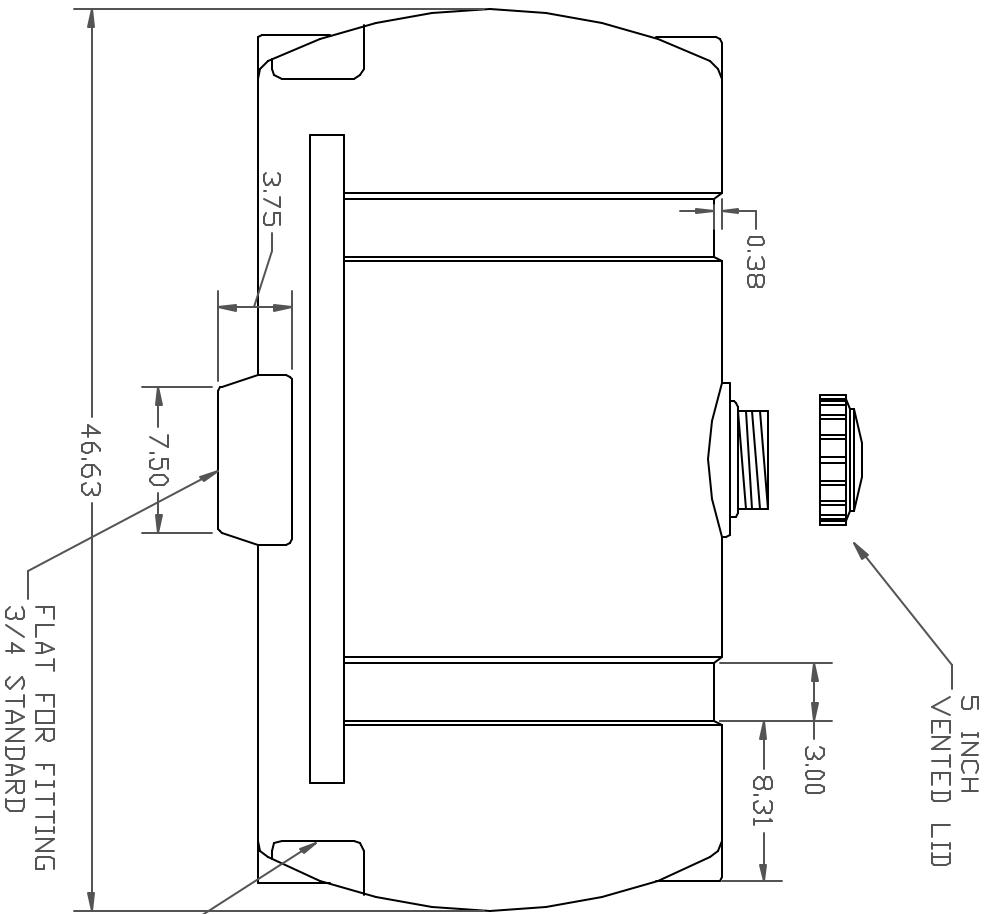



HZ0075-24



REV		DESCRIPTION	DATE APPRD.	DRAWN / DATE DHJ 5/24/05	APPRD. / DATE	MATERIAL / SHOT WEIGHT POLYETHYLENE 31 LBS.	NOTES: .20 WALL	CLIENT / DESCRIPTION  Ace Roto-Mold A DIVISION OF DEN HARTOG INDUSTRIES, INC.	SCALE NONE	PART NO. HZ0075-24
ALL DIMENSIONS ARE IN DECIMAL INCHES TOLERANCES UNLESS OTHERWISE SPECIFIED				THIRD ANGLE PROJECTION ANSI 14.5M						
± 1% @ 68° F										