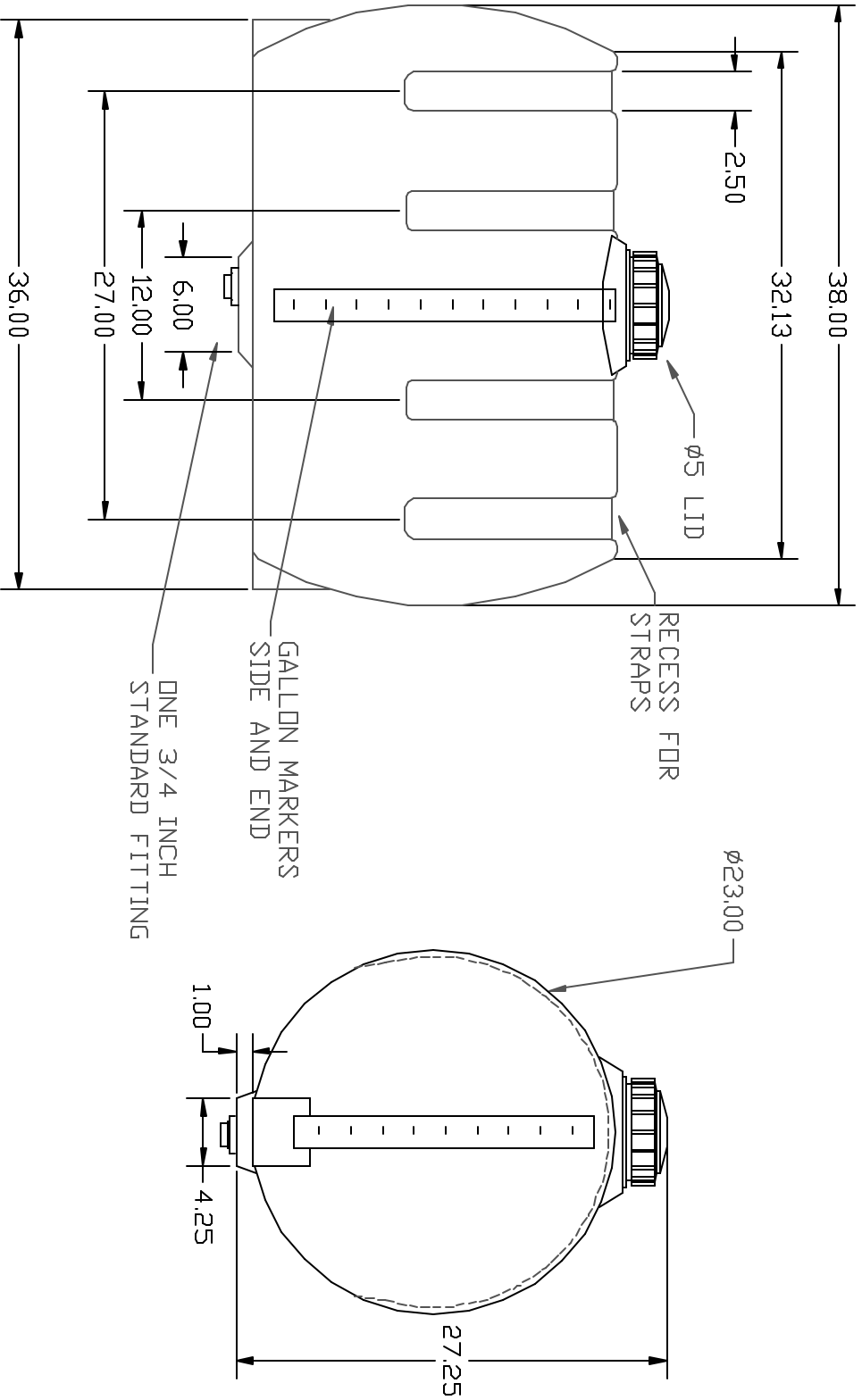


PROPRIETARY DATA

PROPERTY OF ACE ROTOMOLD MFG. INC. INFORMATION FURNISHED HEREIN IS THE PROPERTY OF ACE ROTOMOLD MFG. INC. AND SHALL NOT BE USED, DISCLOSED TO OTHERS, OR COPIED WITHOUT THE EXPRESSED WRITTEN CONSENT OF ACE ROTOMOLD MFG. INC. ALL RIGHTS RESERVED.

HZ1155-23



REV	DESCRIPTION	DATE	APPRD	DRAWN / DATE	MATERIAL
				NVE 6/6/15	
				APPRD. / DATE	
				DHJ 6/21/15	

<p>HOPE OR EQUIVALENT REPRODUCE MATERIAL DATA SHEET FOR SPECIFIC PROPERTIES.</p>	
<p>NOTES: 1. NOM. WALL Ø 1.211 2. WHITE OR COLDR 3. SHOT WEIGHT 29 LBS.</p>	
CLIENT / DESCRIPTION	<p><b>Ace Rotomold</b> A DIVISION OF SAN HANTON INDUSTRIES, INC. 4018 HWY. 61 BL. VD., BOX 471, HOSPERS, INDIAN 51238</p>
SCALE	<p>55 GALLON HORIZONTAL TANK</p>

<p>ALL DIMENSIONS ARE IN DECIMAL INCHES TOLERANCES UNLESS OTHERWISE SPECIFIED</p>	
<p>± 1% @ 68° F</p>	
<p>THIRD ANGLE PROJECTION ANSI X1.9</p>	

SCALE	<p>N.S.</p>
PART NO.	<p>HZ0055 -23</p>