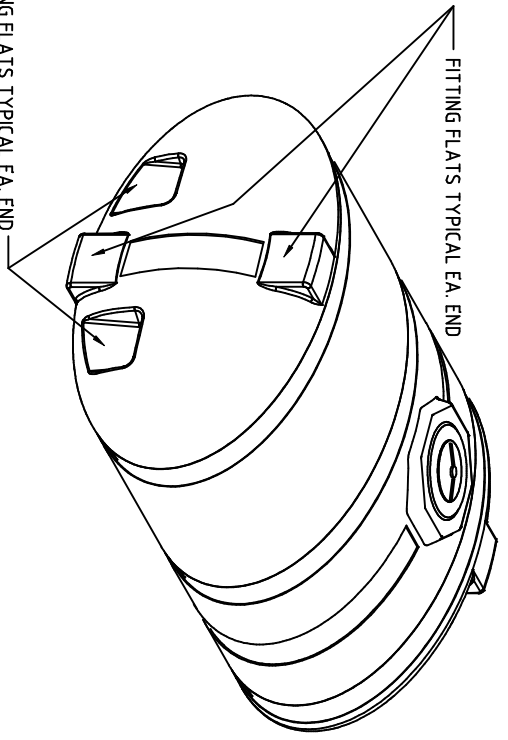


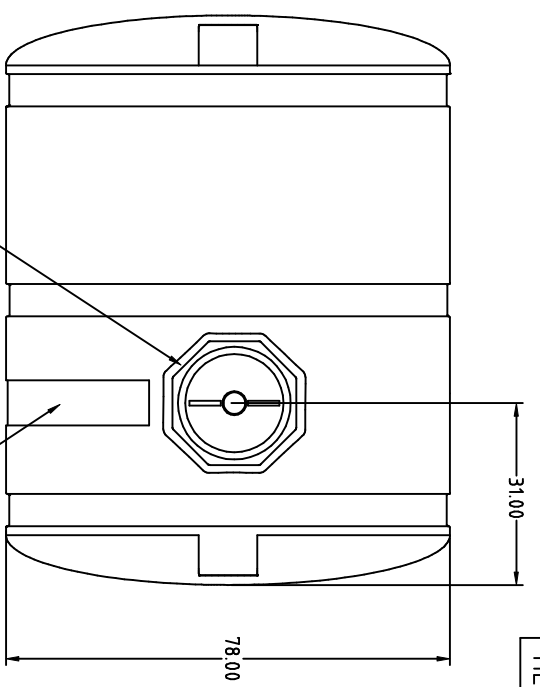
HED1000-78

B



FITTING FLATS TYPICAL EA. END

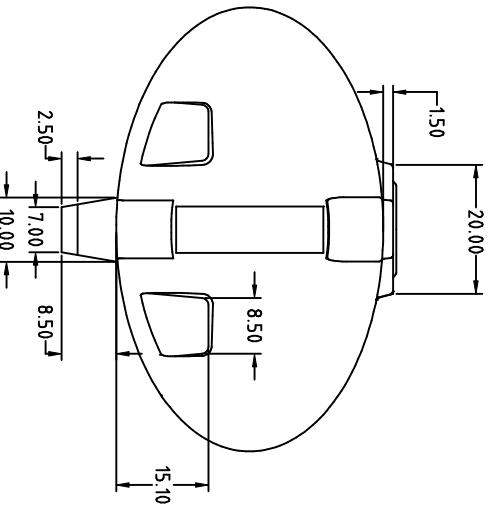
FITTING FLATS TYPICAL EA. END



31.00

78.00

STANDARD LID IS 16" GALLOON / LITER INDICATORS ONE SIDE AND ONE END GALLOON CALIBRATIONS ARE IN 50 GAL. INCREMENTS



20.00

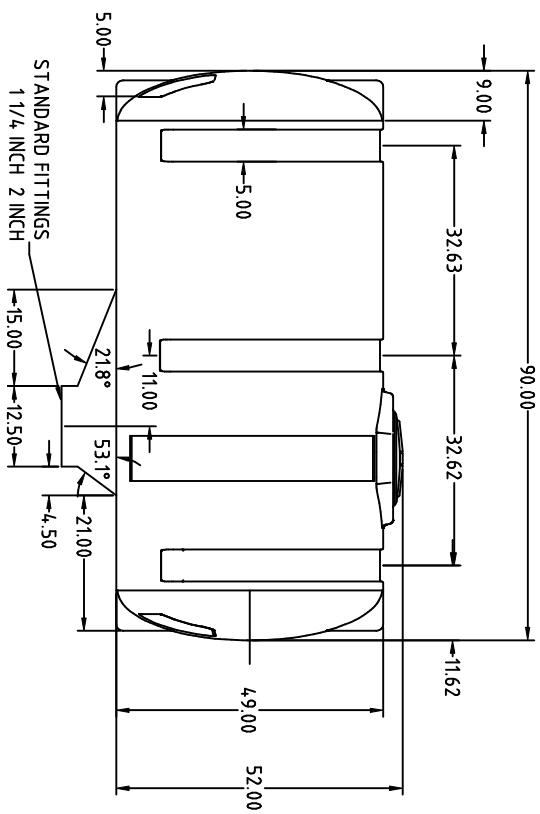
8.50

15.10

2.50

7.00

10.00



9.00

32.63

32.62

11.62

5.00

4.9.00

52.00

5.00

STANDARD FITTINGS
1 1/4 INCH 2 INCH

15.00

21.8°

11.00

53.1°

21.00

4.50

REV	DESCRIPTION	DATE	APPRD	DRAWN / DATE	REH/2/14/02
B	MOVE SUMP 1" OFF CENTER	7/9/03			
A	ADD LARGE SUMP	7/1/03		APPRD. / DATE	

MATERIAL	SHOT WEIGHT
M111	M134
U625	P938
220	


Ace Roto-Mold
 A DIVISION OF DEN HARTOG INDUSTRIES, INC.

CLIENT / DESCRIPTION
ACE 1000 GALLON ELLIPTICAL TANK DEEP SUMP

ALL DIMENSIONS ARE IN DECIMAL INCHES TOLERANCES UNLESS OTHERWISE SPECIFIED	THIRD ANGLE PROJECTION ANSI 14.5M
---	--------------------------------------

NOTES:
1. .330 NOMINAL WALL

SCALE **N.S.** PART NO. **HED1000-78**

+ .5% @ 68° F