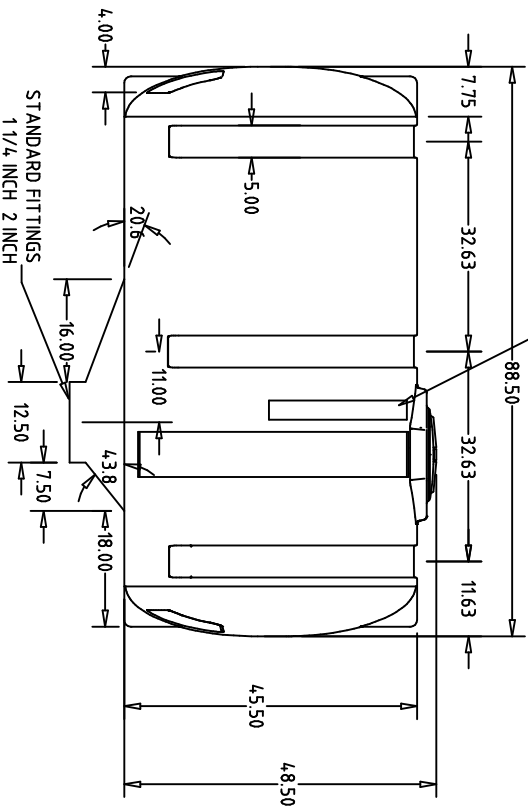
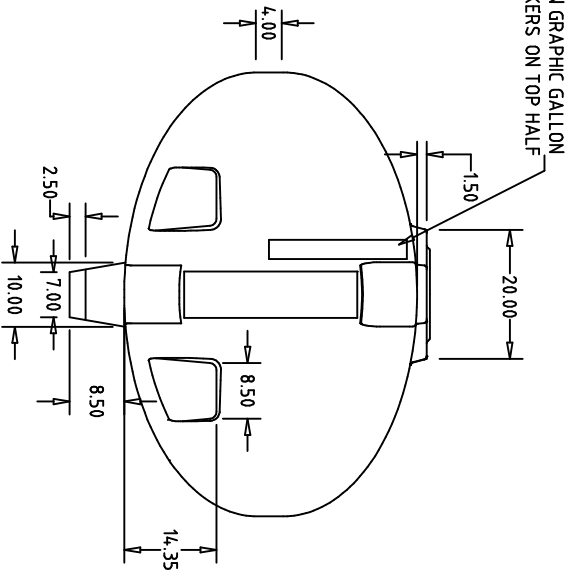


STANDARD LID IS 16" GALLOON / LITER INDICATORS ONE SIDE AND ONE END GALLOON CALIBRATIONS ARE IN 50 GAL. INCREMENTS

MOLD ON GRAPHIC GALLON MARKERS ON TOP HALF



C	ADD 4" EXTENTION	9\1\03	DRAWN / DATE	REH/2/14/02
B	MOVE SUMP 11" OFF CENTER	7\9\03	APPRD. / DATE	
A	ADD LARGE SUMP	7\1\03		
REV	DESCRIPTION	DATE	APPRD	

MATERIAL / SHOT WEIGHT	
M111	M134
U625	P938
246	

THIRD ANGLE PROJECTION
ANSI 14.5M

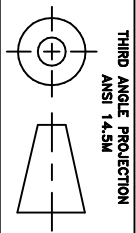
NOTES:
1. .340 NOMINAL WALL

CLIENT / DESCRIPTION

Ace Roto-Mold
A DIVISION OF DEN HARTOG INDUSTRIES, INC.

ACE 850 GALLON ELLIPTICAL TANK DEEP SUMP

ALL DIMENSIONS ARE IN DECIMAL INCHES
TOLERANCES UNLESS OTHERWISE SPECIFIED
+ .5% @ 68° F



SCALE

N.S.

PART NO.

HED0850-69