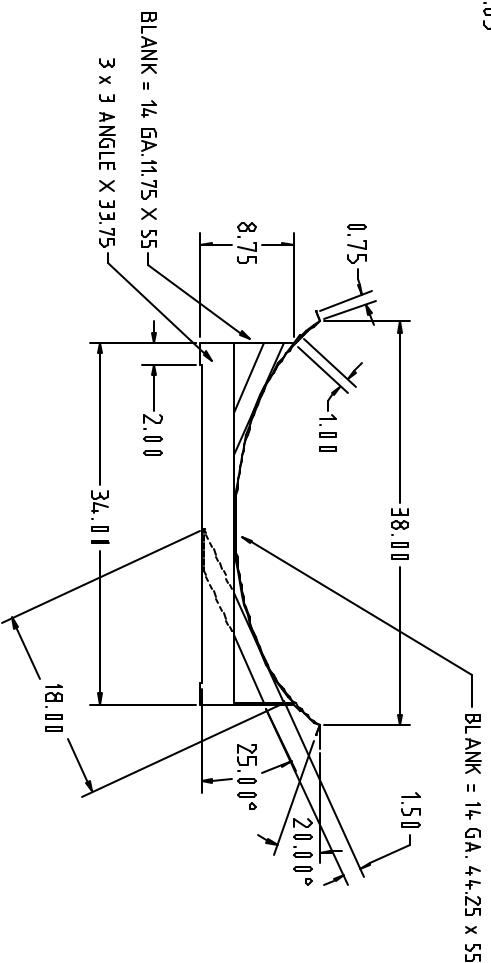
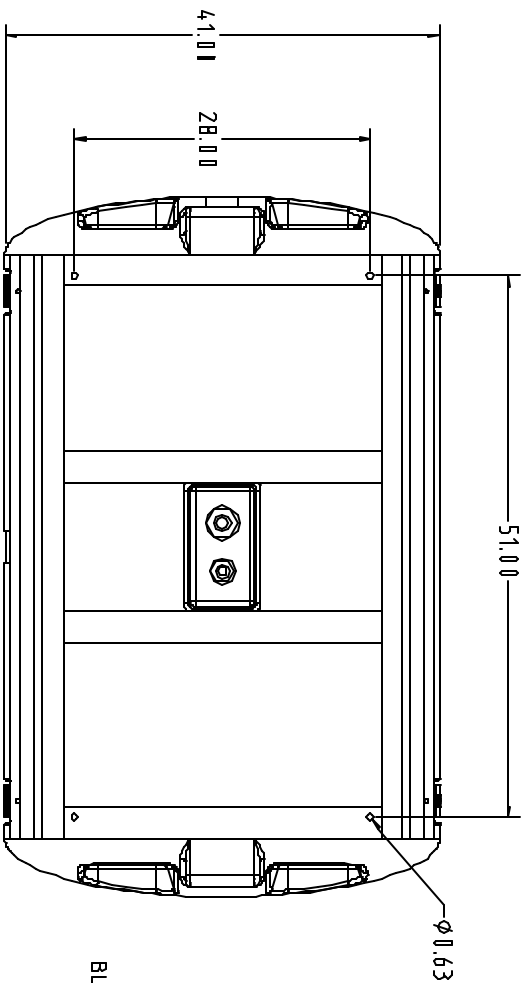
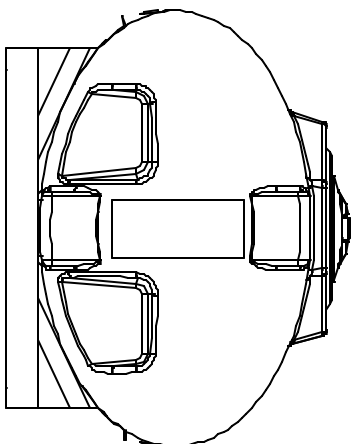
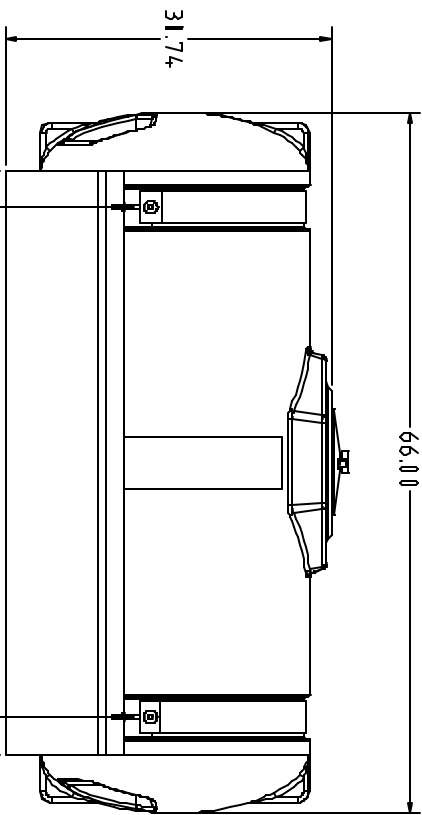
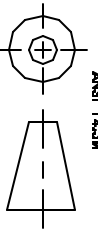


HE0200-C1



DRAWN / DATE		MATERIAL / SHOT WEIGHT		CLIENT / DESCRIPTION	
REH/10/12/01		M111	M134	ACE 200 GALLON ELLIPTICAL TANK	
APPRD. / DATE		U625		SKID ASSEMBLY AND PARTS LIST	
REH/10/12/01		P938			
REV	DESCRIPTION	DATE	APPRD.	NOTES:	
				THIRD ANGLE PROJECTION ANSI 14.5M	

ALL DIMENSIONS ARE IN DECIMAL INCHES  
TOLERANCES UNLESS OTHERWISE SPECIFIED  
+ .5% @ 68° F



SCALE N.S. PART NO. HE0200-C1

