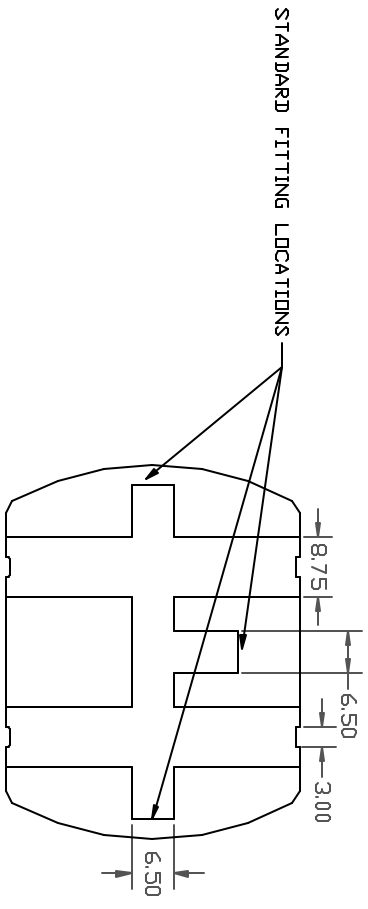
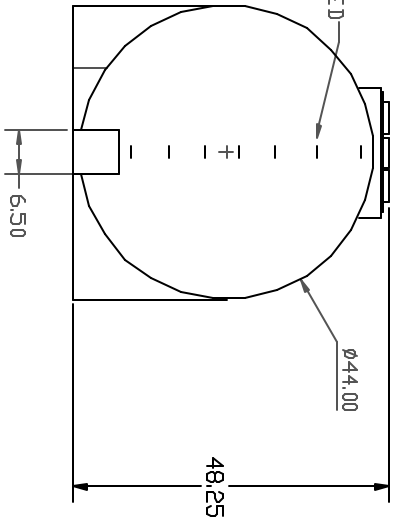
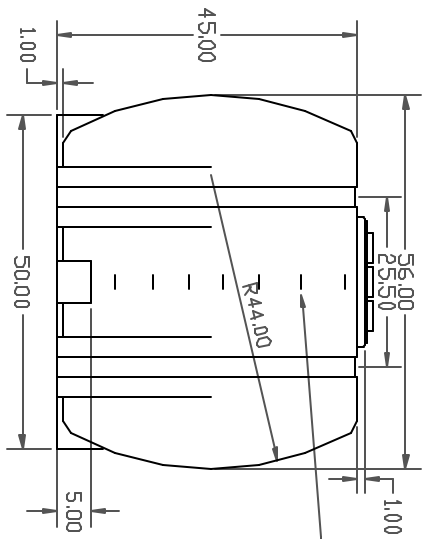
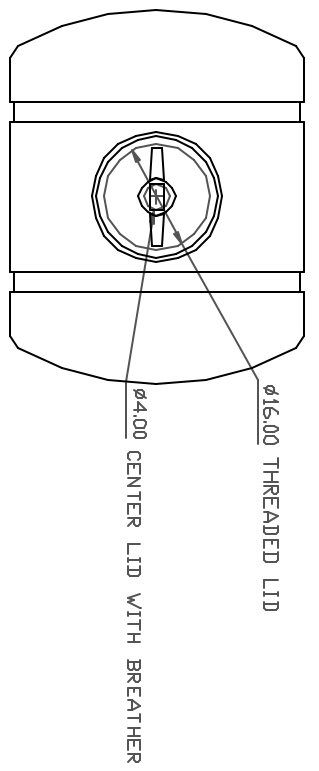


PROPERTY OF ACE ROTO-MOLD MFG. INC. INFORMATION FURNISHED HEREON IS THE PROPERTY OF ACE ROTO-MOLD MFG. INC. AND SHALL NOT BE USED, DISCLOSED TO OTHERS, OR COPIED WITHOUT THE EXPRESSED WRITTEN CONSENT OF ACE ROTO-MOLD MFG. INC. ALL RIGHTS RESERVED.

PROPRIETARY DATA

FS0335-44

A

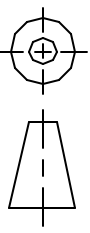


REV	DESCRIPTION	DATE	APPRD
A	NEW DRAWING FORMAT	10/11/15	NVE

DRAWN / DATE
DHJ 12/21/12

APPRD. / DATE

THIRD ANGLE PROJECTION
AMERICAN



MATERIAL

HIDE OR EQUIVALENT
REFERENCE MATERIAL DATA SHEET
FOR SPECIFIC PROPERTIES.

- NOTES:
1. WHITE, BLACK, YELLOW
OR DESERT TAN COLOR
2. SHOT WEIGHT 116 LBS.
3. NOM. WALL Ø 1.291
4. 3/4" 1" 1.25" 1.5" 2" OR 3" FITTING

CLIENT / DESCRIPTION

335 GALLON FREE-STANDING TANK

SCALE

N.S.

PART NO.

FS0335-44



ALL DIMENSIONS ARE IN DECIMAL INCHES
TOLERANCES UNLESS OTHERWISE SPECIFIED
+ 1% @ 68° F