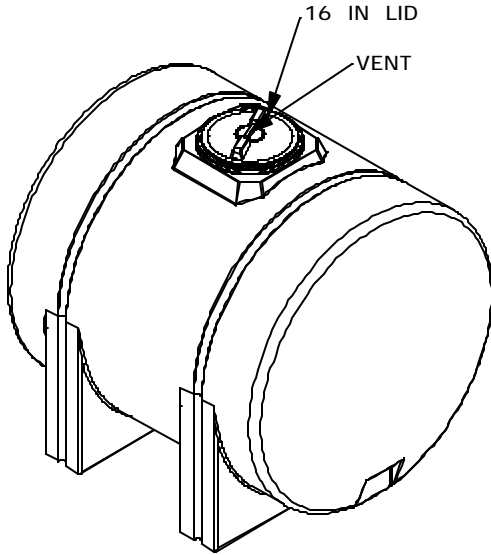


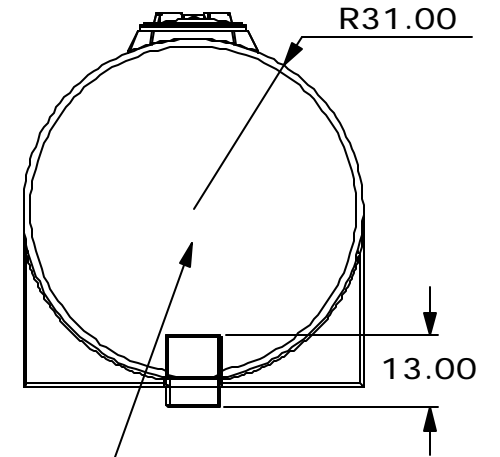
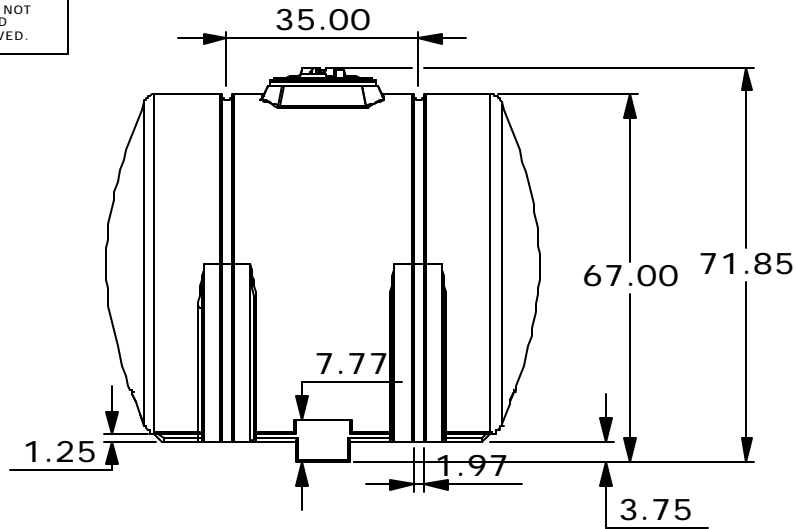
PROPRIETARY AND CONFIDENTIAL

PROPERTY OF ACE ROTO-MOLD MFG., INC. INFORMATION FURNISHED HEREIN IS THE PROPERTY OF ACE ROTO-MOLD MFG., INC. AND SHALL NOT BE USED DISCLOSED TO OTHERS, OF COPED WITHOUT THE EXPRESSED WRITTEN CONSENT OF ACE ROTO-MOLD MFG., INC. ALL RIGHTS RESERVED.

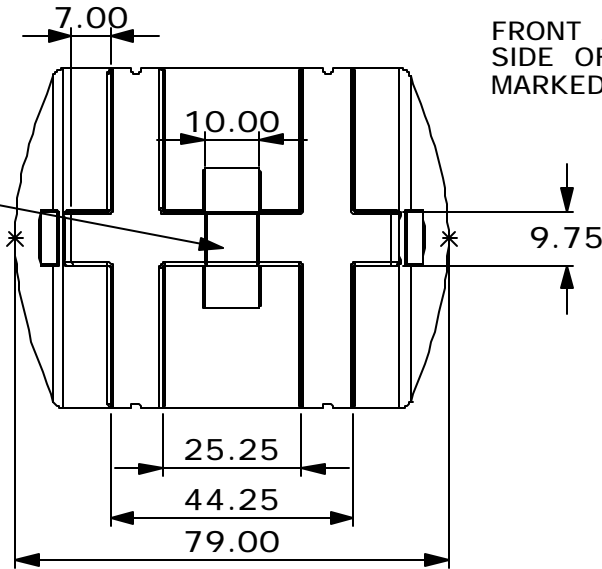
FM0925- DS



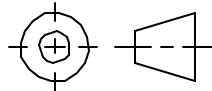
TANK FITTING CAN BE INSTALLED ON EITHER SIDE OR BOTTOM



FRONT AND RIGHT SIDE OF TANK ARE MARKED IN GALLONS



				DRAWN/DATE NVE 12/2/05	MATERIAL HDPE OR EQUIVALENT REFERENCE MATERIAL DATA SHEET FOR SPECIFIC PROPERTIES
				APPRD./DATE DHJ 12/9/05	
REV	DESCRIPTION	DATE	APPRD.	THIRD ANGLE PROJECTION ANSI 14.5M	NOTES: 1. WHITE OR YELLOW COLOR 2. SHOT WEIGHT 290 LBS. 3. NOM. WALL @ .350
DIMENSIONS ARE IN DECIMAL INCHES TOLERANCES UNLESS OTHERWISE SPECIFIED $\pm 1/64"$					



**Ace Roto-Mold**

A DIVISION OF DEN HARTOG INDUSTRIES, INC.  
4018 HWY. 60 BLVD., BOX 421, HOSPERS, IOWA 51238

CLIENT/DESCRIPTION  
925 GALLON FREE-STANDING LEG TANK WITH SUMP

SCALE  
N.S.

PART NO.  
FM0925- DS