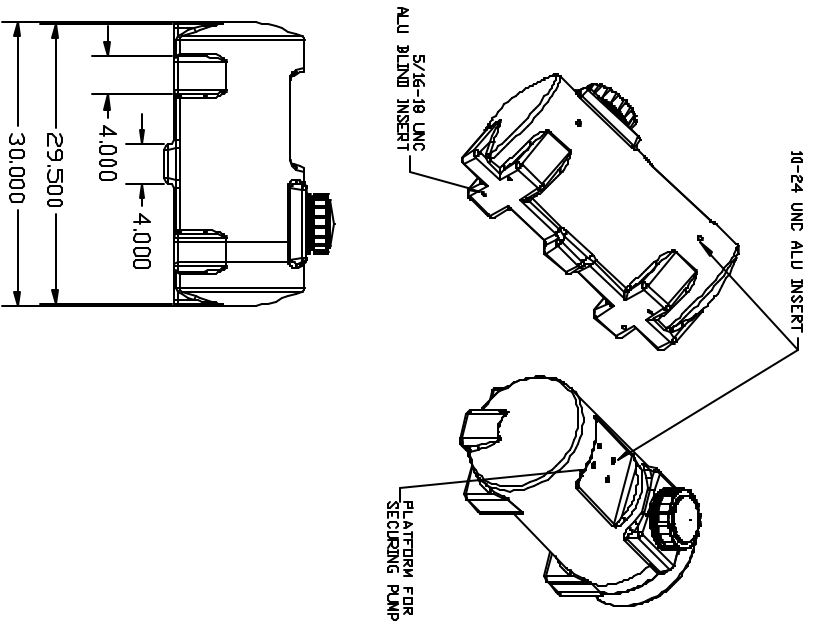
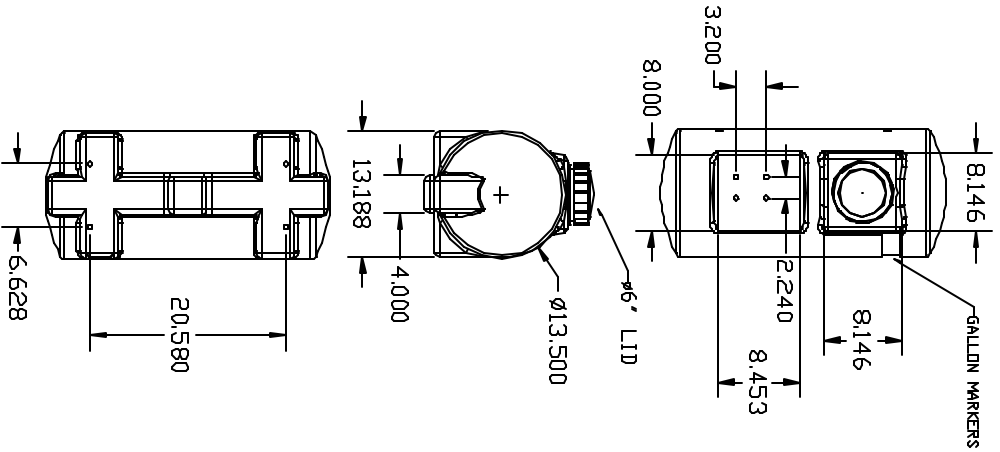


PROPRIETARY DATA

PROPERTY OF ACE ROTO-MOLD MFG. INC. INFORMATION FURNISHED HEREIN IS THE PROPERTY OF ACE ROTO-MOLD MFG. INC. AND SHALL NOT BE USED, DISCLOSED TO OTHERS, OR COPIED WITHOUT THE EXPRESSED WRITTEN CONSENT OF ACE ROTO-MOLD MFG. INC. ALL RIGHTS RESERVED.

FM0115-14



REV	DESCRIPTION	DATE	APPRD

DRAWN / DATE
NVE 6/9/15

APPRD. / DATE
DHJ 6/21/15

THIRD ANGLE PROJECTION
ANSI X1.18

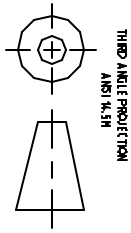
MATERIAL
HOPE OR EQUIVALENT
REPRODUCE MATERIAL DATA SHEET
FOR SPECIFIC PROPERTIES.

NOTES:
1. NOM. WALL ϕ .193
2. WHITE OR COLOR
3. SHOT WEIGHT 11 LBS.

CLIENT / DESCRIPTION
15 GALLON
FREE STANDING TANK



ALL DIMENSIONS ARE IN DECIMAL INCHES
TOLERANCES UNLESS OTHERWISE SPECIFIED
+ 1% @ 68° F



SCALE
N.S.

PART NO.
FM0015-14