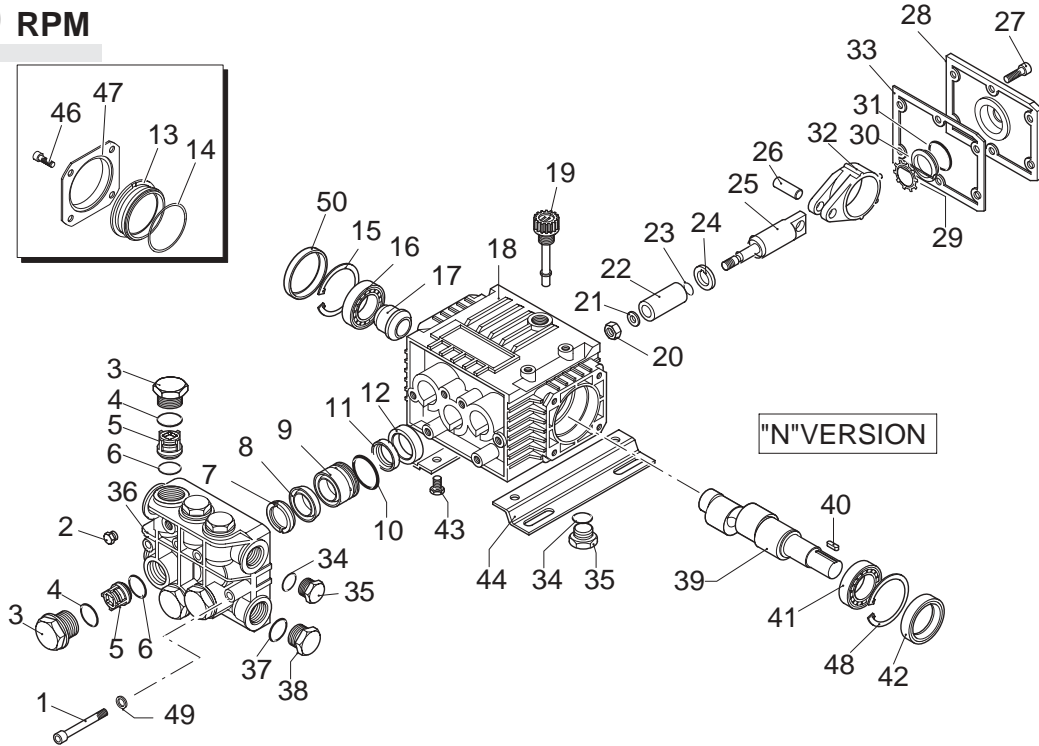
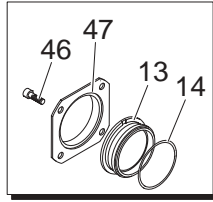


XT 1450 RPM



"N" VERSION

Pos.	Code	Description	Qty.	Pos.	Code	Description	Qty.
1	1322730	Head bolt (137 in/lbs)	6	33	1260040	Gasket	1
2	620301	Plug 1/8G	1	34	740290	O-Ring	2
3	1260162	Valve Cap (300 in/lbs)	6	35	1980740	Brass plug 3/8G	2
3	1260162T	Valve Cap 1/4" threaded (300 in/lbs)	1	36	1320022	Pump head Brass	○ 1
4	1260163	Valve Cap 1/8" threaded (300 in/lbs)	1	36	1262220	Pump head Aluminum	□ 1
4	960160	O-Ring	6	36	1320020	Pump head Brass	▽ 1
5	1269050	Complete valve	6	37	180101	O-Ring	1
6	880830	O-Ring	6	38	820361	Brass plug 1/2G	1
7	1520120	Support ring Ø15	3	39	1260180	Crankshaft 2.37 GPM	1
8	1320340	Support ring Ø18	3	39	1260200	Crankshaft 2.11/2.9 GPM	1
8	1271650	High pressure packing Ø15	3	40	1380520	Key	1
9	1260220	High pressure packing Ø18	3	41	1320370	Bearing	1
9	1260151	Piston guide Ø15	3	42	1260750	Oil seal	1
10	1320351	Piston guide Ø18	3	43	1260470	Bolt	4
10	1260420	O-Ring	3	44	1263890	Mounting rail	2
11	1260440	Low pressure seal Ø15	3	44b	1836	1/2" Rail Kit	1
11	1260450	Low pressure seal Ø18	3	44c	1836H	1-5/8" Rail Kit	1
12	1260460	Oil seal	3	45	1320310	Coupling	1
13	1320320	Bearing cap	1	46	1321780	Bolt	1
14	1320360	O-Ring	1	47	1321420	Side cover	1
15	1260790	Circlip	1	48	1260790	Circlip	1
16	1320370	Bearing	1	49	1381550	Washer	6
17	1320330	Bushing	1	50	1266740	Cap	1
18	1320010	Pump housing	1				
19	880130	Vented oil cap	1				
20	1260110	Nut (106 in/lbs)	3				
21	1260100	Washer	3				
22	1260120	Plunger Ø15	3				
22	1260210	Plunger Ø18	3				
23	480480	O-Ring	3				
24	1260091	Washer (slinger)	3				
25	1260070	Plunger rod	3				
26	1260080	Plunger rod pin	3				
27	1260760	Bolt (48 in/lbs)	6				
28	1269101	Rear cover Low	1				
28	1329010	Rear cover High	1				
29	1260430	Snap ring	1				
30	1260250	Oil sight glass	1				
31	1140450	O-Ring	1				
32	1260060	Con-rod (alum.)	3				
32	1320140	Con-rod (bronze)	3				

Legend		
Ø 15	Ø 18	Ø 18
For ○	For □	For ▽
XT8.14 2.11 GPM	XT11.112.9 GPM	XT9.142.37 GPM XT11.142.9 GPM

Repair Kits			
Water Seals	Valves	Pistons	Oil Seals
Kit 1866 Ø15		Kit 2628 Ø15	
Kit 1874 Ø18	Kit 1864	Kit 2629 Ø18	Kit 1872
Pos. Qty.	Pos. Qty.	Pos. Qty.	Pos. Qty.
7 3	5 6	20 3	12 3
8 3	6 6	21 3	33 1
10 3		22 3	42 1
11 3		24 3	50 1

Special Parts		
Code	Description	Qty.
2815	Kit for up to 180° F Ø15 High Temp	1
2816	Kit for up to 180° F Ø18 High Temp	1
2029	Viton water seals Ø15	1
2030	Viton water seals Ø18	1