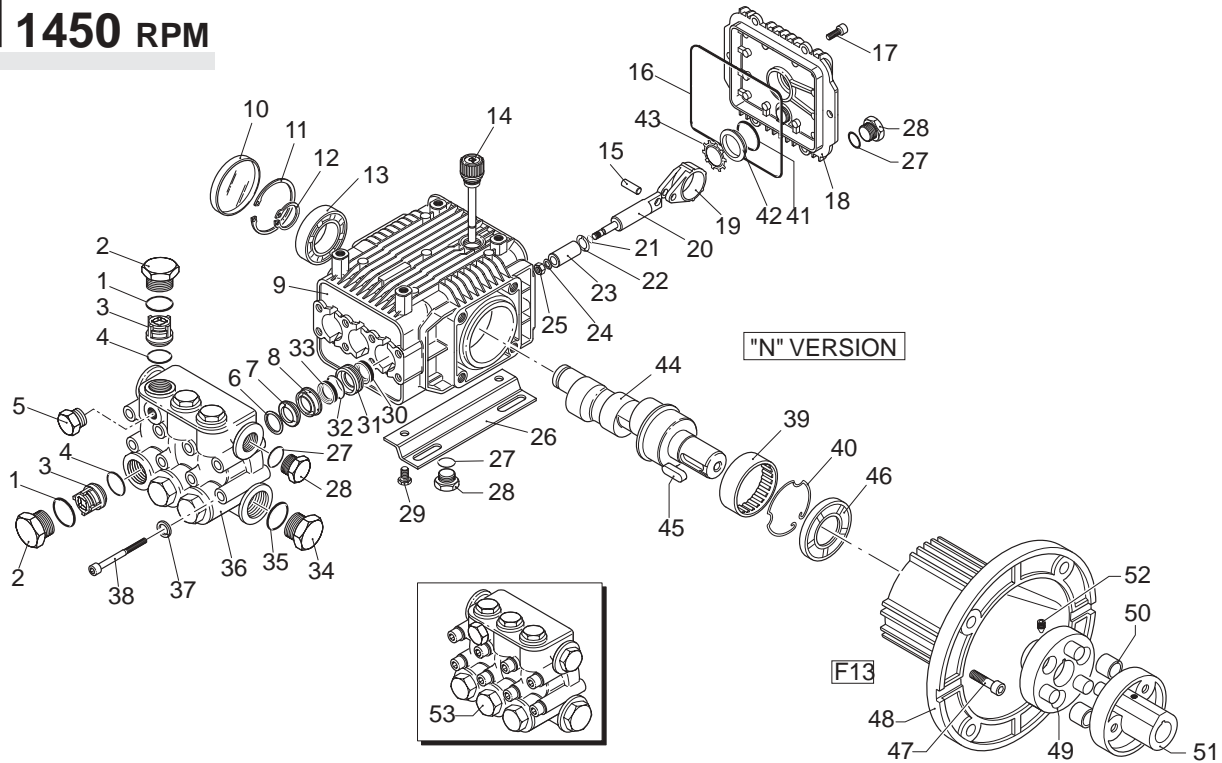


XM 1450 RPM



Pos.	Code	Description	Qty.
1	960160	O-Ring	6
2	1260162	Valve Cap (442 in/lbs)	6
2	1260162T	Valve Cap 1/4" threaded (442 in/lbs)	1
3	1269050	Complete valve	6
4	880830	O-Ring	6
5	620301	Plug 1/8G	1
6	1780130	Support ring Ø15	3
7	1780140	Support ring Ø18	3
7	1260130	High pressure packing Ø15	3
7	1260220	High pressure packing Ø18	3
8	1780090	Piston guide Ø15	3
8	1780110	Piston guide Ø18	3
9	1780010	Pump body	1
10	1266740	Side cover seal	1
11	1260790	Circlip	1
12	1780550	Snap ring	1
13	1780490	Bearing	1
14	880130	Vented oil cap	1
15	1780050	Piston pin	3
16	1780510	O-Ring	1
17	1200430	Bolt (89 in/lbs)	6
18	1789010	Complete cover	1
19	1780040	Con rod	3
20	1780060	Guiding piston	3
21	480480	O-Ring	3
22	1260091	Washer (slinger)	3
23	1780070	Plunger Ø15	3
23	1780080	Plunger Ø18	3
24	1260100	Piston washer	3
25	1260110	Nut (106 in/lbs)	3
26	1380141	Mounting rail	2
26b	2729	5/8" Rail Kit	1
26c	2633H	2-5/8" Rail Kit	1
27	740290	O-Ring	3
28	1980740	3/8" G plug	3
29	1260470	Bolt	4
30	1260460	Seal	3
31	1780100	Rear piston guide Ø15	3
31	1780120	Rear piston guide Ø18	3
32	770260	O-Ring	3
33	1260440	Low pressure seal Ø15	3
33	1260450	Low pressure seal Ø18	3
34	820361	Brass plug	1

Pos.	Code	Description	Qty.
35	180101	O-Ring	1
36	1780020	Pump head	1
37	1381550	Washer	8
38	1322730	Head bolt (133 in/lbs)	8
39	1321190	Bearing	1
40	1321080	Snap ring	1
41	1140450	O-Ring	1
42	1260250	Oil sight glass	1
43	1260430	Snap ring	1
44	1780150	Crankshaft	○ 1
44	1780160	Crankshaft	▽ 1
44	1780180	Crankshaft	□ 1
45	1380520	Key	1
46	1260750	Oil seal	1
47	180030	Bolt	4
48	1380380	Electric motor flange	1
49	1380300	Pump coupling	1
50	1321670	Bushing	6
51	1380330	Motor coupling 1-1/8 (F14)	1
51	1380350	Motor coupling 1-3/8 (F15)	1
52	1380180	Seat screw	1
53	1789201	Complete pump head Ø15	1
53	1789202	Complete pump head Ø18	1

Legend

Ø15	Ø18	Ø18
For ○	For □	For ▼
XM11.17	XM13.17	XM15.15

Repair Kits

Water Seals	Valves	Pistons	Oil Seals
Kit 2741Ø15		Kit 2544Ø15	
Kit 2747Ø18	Kit 1864	Kit 2545Ø18	Kit 2786
Pos. Qty.	Pos. Qty.	Pos. Qty.	Pos. Qty.
7 3	3 6	21 3	10 1
32 3	4 6	22 3	16 1
33 3		23 3	30 3
		24 3	46 1
		25 3	

Support Rings

Kit 2740Ø15
Kit 2745Ø18
Pos. Qty.
6 3

Special Parts

Code	Description	Qty.
2776	Viton water seals Ø15	1
2777	Viton water seals Ø18	1