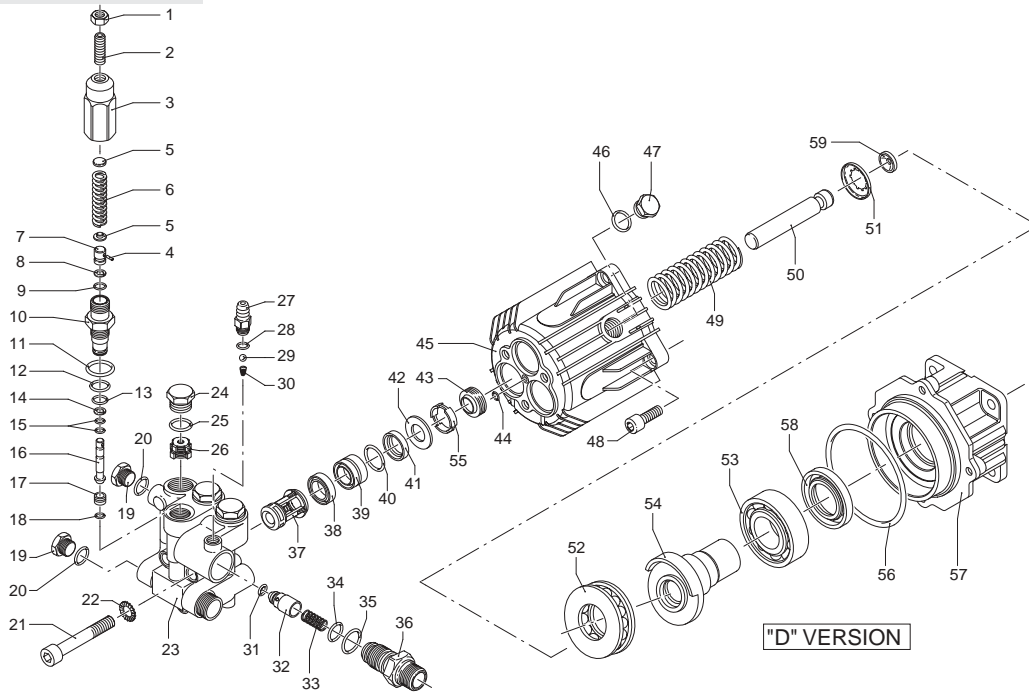


XJV-E 3400 RPM



"D" VERSION

Pos.	Code	Description	Qty.	Pos.	Code	Description	Qty.
1	1980300	Nut	1	44	770090	O-Ring	1
2	392840	Adjustment screw	1	45	1980460	Crankcase	1
3	1980540	Adjustment cap	1	46	740290	O-Ring	1
4	1080070	Pin	1	47	1980740	Oil plug	1
5	1980220	Plate spring	2	48	180030	Bolt	4
6	1980520	Spring	1	49	1981140	Spring	3
7	1080041	Upper piston	1	50	1981440	Piston	3
8	1080401	Back-up ring	1	51	1980150	Piston retainer (3 pc)	3
9	1080250	O-Ring	1	52	1982290	Bearing	1
10	1980530	Piston guide	1	53	161060	Bearing	1
11	880830	O-Ring	1		1981540	Angle plate	○ 1
12	740290	O-Ring	1		1981610	Angle plate	□ 1
13	800560	O-Ring	1		1981620	Angle plate	▽ 1
14	1271170	Back-up ring	1	55	1980430	Retainer	3
15	1080190	O-Ring	2	56	1980340	O-Ring	1
16	1271160	Lower piston	1	57	1981420	Flange	1
17	1980200	Piston seat	1	58	1140380	Oil seal	1
18	1470210	O-Ring	1	59	1981130	Plunger shoe	1
19	880581	Plug 1/4G	2				
20	820510	O-Ring	2				
21	1980310	Head bolt (443 in/lbs)	3				
22	650530	Washer	3				
23	1981500	Pump head	1				
24	1260162	Valve cap (443 in/lbs)	3				
25	960160	O-Ring	3				
26	1989061	Complete valve	6				
27	1560490	Chem barb	1				
28	480480	O-Ring	1				
29	1250280	Ball	1				
30	1560520	Spring	1				
31	1460430	O-Ring	1				
32	1540170	Check valve	1				
33	1080091	Spring	1				
34	394280	O-Ring	1				
35	1200690	O-Ring	1				
36	1271700	Detergent injector	1				
37	1989060	Complete valve	3				
38	2460180	High pressure packing	3				
39	1981470	Piston guide	3				
40	770130	O-Ring	3				
41	1260440	Low pressure seal	3				
42	1980170	Seal retainer	3				
43	1980410	Oil seal	3				

Legend

For ○	For □	For ▼
XJV-E2G15	XJV-E2.5G15	XJV-E3G15
XJV-E2G20	XJV-E2.5G20	XJV-E3G20
	XJV-E2.5G22	XJV-E3G22

Repair Kits

Water Seals	Valves	Pistons	Oil Seals
Kit 2582	Kit 2581	Kit 2593	Kit 2511
Pos. Qty.	Pos. Qty.	Pos. Qty.	Pos. Qty.
38 3	26 3	50 3	43 3
40 3	37 3		44 1
41 3			56 1
42 3			
55 3			

Unloader Kit

Kit 2594			
Pos.	Qty.	Pos.	Qty.
1	1	10	1
2	1	11	1
3	1	12	1
4	1	13	1
5	2	14	1
6	1	15	2
7	1	16	1
8	1	17	1
9	1	18	1