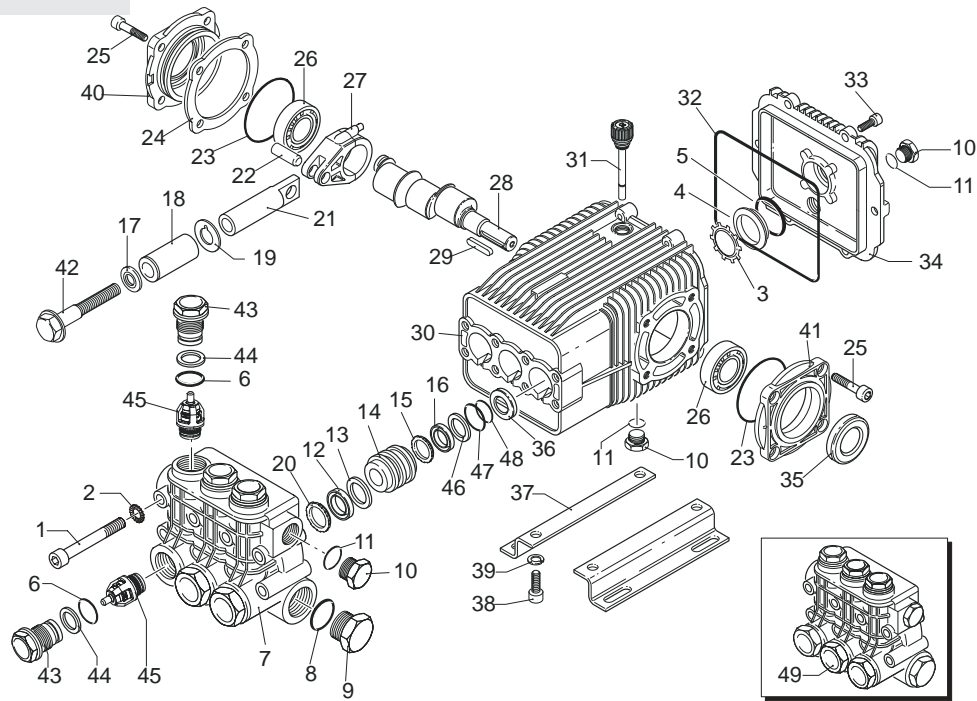


SXWA 1750 RPM



Pos.	Code	Description	Qty.	Pos.	Code	Description	Qty.
1	1940260	Head bolt (442 in/lbs)	8	38	1940380	Bolt	4
2	650530	Washer	8	39	200231	Washer	4
3	1260430	Snap ring	1	40	1949011	Complete side cover	1
4	1260250	Oil sight glass	1	41	1941240	Open bearing sup.	1
5	1140450	O-Ring	1	42	1940920	Piston-fixing screw (106 in/lbs)	3
6	880830	O-Ring	6	43	1940940	Valve cap (602 in/lbs)	6
7	1940930	Pump head	1	44	1941970	Valve cap 1/4" threaded	1
8	180101	O-Ring	1	45	1941070	Back-up ring	6
9	820361	Plug 1/2G	1	46	1941030	Spacer	3
10	1980740	Plug 3/8G	3	47	820490	O-Ring	3
11	740290	O-Ring	3	48	1941010	Snap ring	3
12	1941200	High pressure packing	3	49	1949204	Complete pump head	1
13	1941050	Back-up ring	3				
14	1940950	Piston guide	3				
15	1941350	Support ring	3				
16	1941340	Low pressure seal	3				
17	1340600	Washer	3				
18	1941020	Piston	3				
19	1383190	Slinger	3				
20	1941190	Support ring	3				
21	1940960	Guiding piston	3				
22	1940060	Con-rod pin	3				
23	1941380	O-Ring	2				
24	1941390	Shim 0.05 mm	1				
	1941400	Shim 0.10 mm	1				
	1941410	Shim 0.19 mm	1				
	1941420	Shim 0.25 mm	1				
25	850370	Bolt (217 in/lbs)	8				
26	1140410	Bearing	2				
27	1940050	Con-rod (89 in/lbs)	3				
	1940520	Crank shaft	○ 1				
	1940170	Crank shaft	□ 1				
	1940970	Crank shaft	▽ 1				
28	650250	Key	1				
29	1941330	Pump housing	1				
30	1140370	Oil cap	1				
31	1940410	O-Ring	1				
32	1200430	Bolt (89 in/lbs)	6				
33	1949010	Complete cover	1				
34	820680	Seal	1				
35	1940560	Seal	3				
36	1940370	Mounting rail	2				
37	2748	1-1/4" Rail Kit	1				
43b							

Legend		
Ø18	Ø18	Ø18
For ○	For □	For ▽
SXWA4G50	SXWA5.5G50	SXWA7G45

Repair Kits							
High Pressure	Water Seals	Valves	Pistons	Oil Seals			
	Kit 2874	Kit 2871	Kit 2548	Kit 2873			
Pos.	Qty.	Pos.	Qty.	Pos.	Qty.	Pos.	Qty.
12	3	45	6	17	3	23	2
13	3			18	3	32	1
20	3			19	3	35	1
						36	3
Low Pressure				Water Seals & Piston Guides			
Kit 2875							
Pos.	Qty.	Pos.	Qty.	Pos.	Qty.	Pos.	Qty.
14	3						
15	3						
16	3						
46	3						
47	3						
48	3						