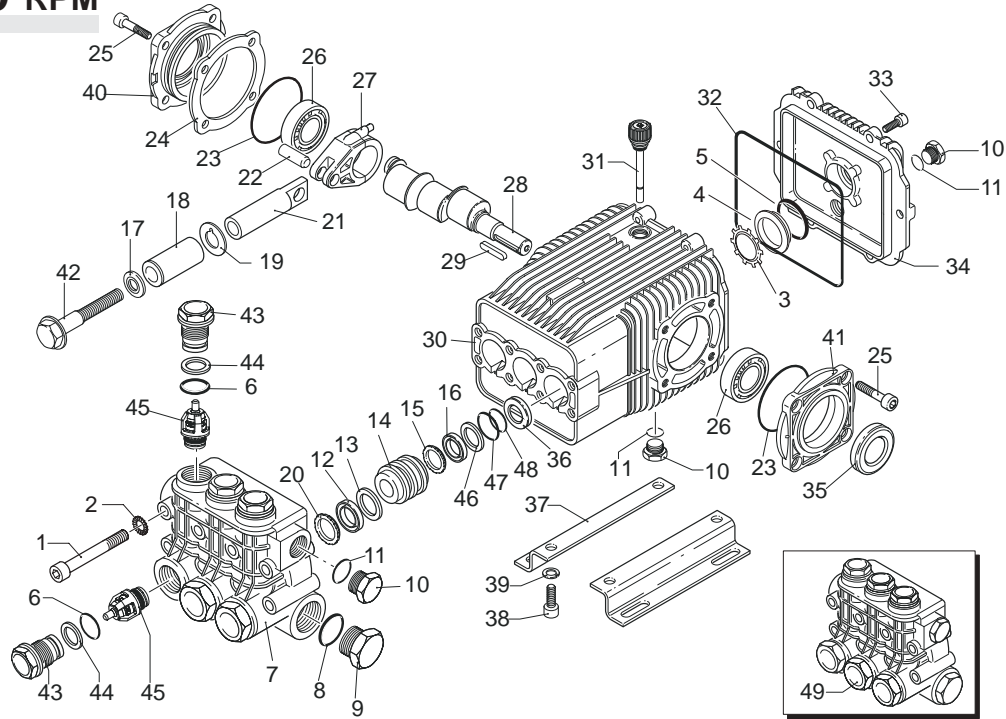


SXW 1450 RPM



Pos.	Code	Description	Qty.
1	1940260	Head bolt (442 in/lbs)	8
2	650530	Washer	8
3	1260430	Snap ring	1
4	1260250	Oil sight glass	1
5	1140450	O-Ring	1
6	880830	O-Ring	6
7	1940930	Pump head	1
8	180101	O-Ring	1
9	820361	Plug 1/2G	1
10	1980740	Plug 3/8G	3
11	740290	O-Ring	3
12	1941200	High pressure packing	3
13	1941050	Support ring	3
14	1940950	Piston guide	3
15	1941350	Support ring	3
16	1941340	Low pressure seal	3
17	1340600	Washer	3
18	1941020	Piston	3
19	1383190	Slinger	3
20	1941190	Support ring	3
21	1940960	Guiding piston	3
22	1940060	Con-rod pin	3
23	1941380	O-Ring	2
24	1941390	Shim 0.05 mm	1
25	1941400	Shim 0.10 mm	1
26	1941410	Shim 0.19 mm	1
27	1941420	Shim 0.25 mm	1
28	850370	Bolt (217 in/lbs)	8
29	1140410	Bearing	2
30	1940050	Con-rod (89 in/lbs)	3
31	1940980	Crank shaft	○ 1
32	1940970	Crank shaft	□ 1
33	650250	Key	1
34	1941330	Pump housing	1
35	1140370	Oil cap	1
36	1940410	O-Ring	1
37	1200430	Bolt (89 in/lbs)	6
38	1949010	Complete cover	1
39	820680	Oil seal	1
40	1940560	Oil seal	3
41	1940370	Mounting rail	2
42	2748	1-1/4" Rail Kit	1
43	1940380	Bolt	4

Pos.	Code	Description	Qty.
39	200231	Washer	4
40	1949011	Complete side cover	1
41	1941240	Open bearing sup.	1
42	1940920	Piston-fixing screw (106 in/lbs)	3
43	1940940	Valve cap (602 in/lbs)	6
44	1941970	Valve cap 1/4" threaded	1
45	1941070	Back-up ring	6
46	1941030	Spacer	3
47	820490	O-Ring	3
48	1941010	Snap ring	3
49	1949204	Complete pump head	1

Legend	
Ø18	Ø18
For ○	For □
SXW15.35	SXW21.35

Repair Kits

High Pressure Water Seals		Valves		Pistons		Oil Seals	
Kit 2874	Kit 2871	Kit 2548	Kit 2873				
Pos.	Qty.	Pos.	Qty.	Pos.	Qty.	Pos.	Qty.
12	3	45	6	17	3	23	2
13	3			18	3	32	1
20	3			19	3	35	1
						36	3

Low Pressure Water Seals & Piston Guides

Kit 2875

Pos.	Qty.
14	3
15	3
16	3
46	3
47	3
48	3