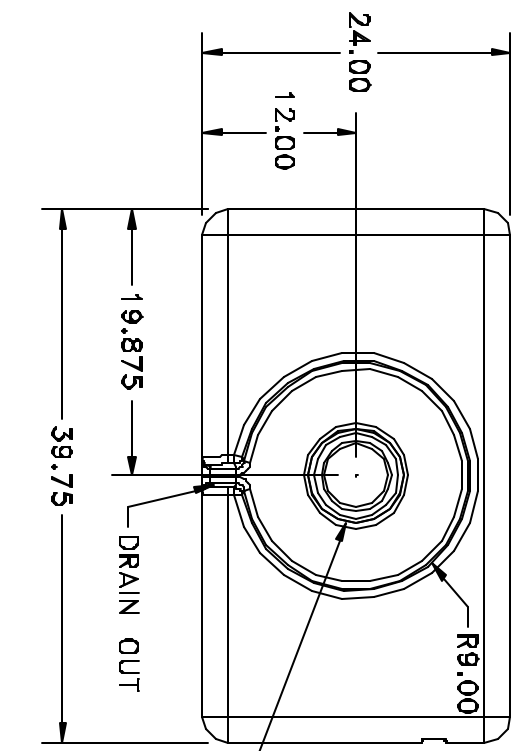
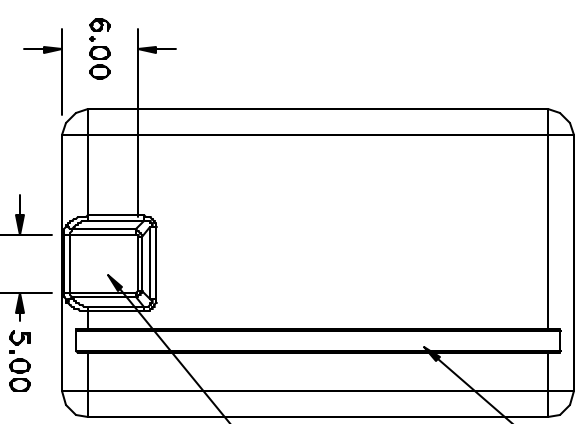
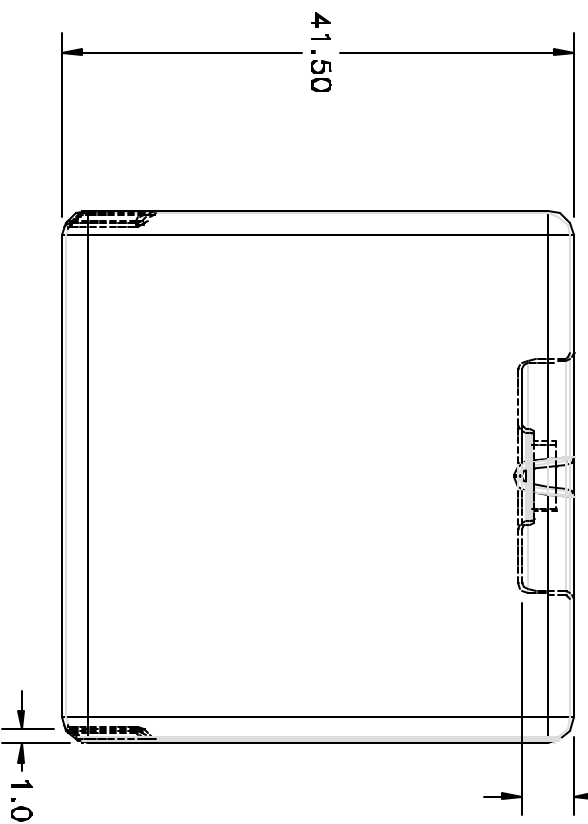
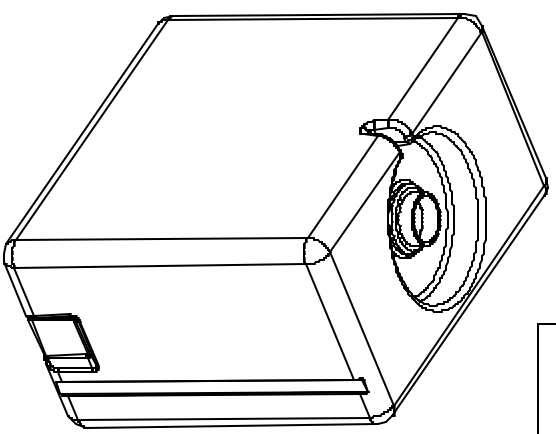


SP0150-PPTK



ACE 6" SPIN ON LID  
NOT SHOWN



GALLON MARKERS  
INDICATED IN  
10 GALLON LEVELS

FITTING SUMP EACH END

REV	DESCRIPTION	DATE	APPRD

DRAWN / DATE	REH / 9/14/99

DRAWN / DATE	REH / 9/14/99	APPRD. / DATE	REH / 9/14/99

**ACE ROTO MOLD**

A DIVISION OF DEN HARTOG INDUSTRIES, INC.  
4018 HWY. 60 BLVD. BOX 421, HOSPIERS, IOWA 51238

150 GAL. TANK

CLIENT / DESCRIPTION

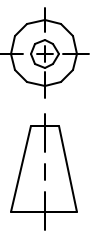
BD LB. MOBIL 134

NOTES:

- 1. NATURAL COLOR
- 2. NOM. WALL .320

MATERIAL

THIRD ANGLE PROJECTION  
ANSI 14.2M



ALL DIMENSIONS ARE IN DECIMAL INCHES  
TOLERANCES UNLESS OTHERWISE SPECIFIED

± .5% @ 68° F

SCALE

N.S.

PART NO.

SP0150-PPTK