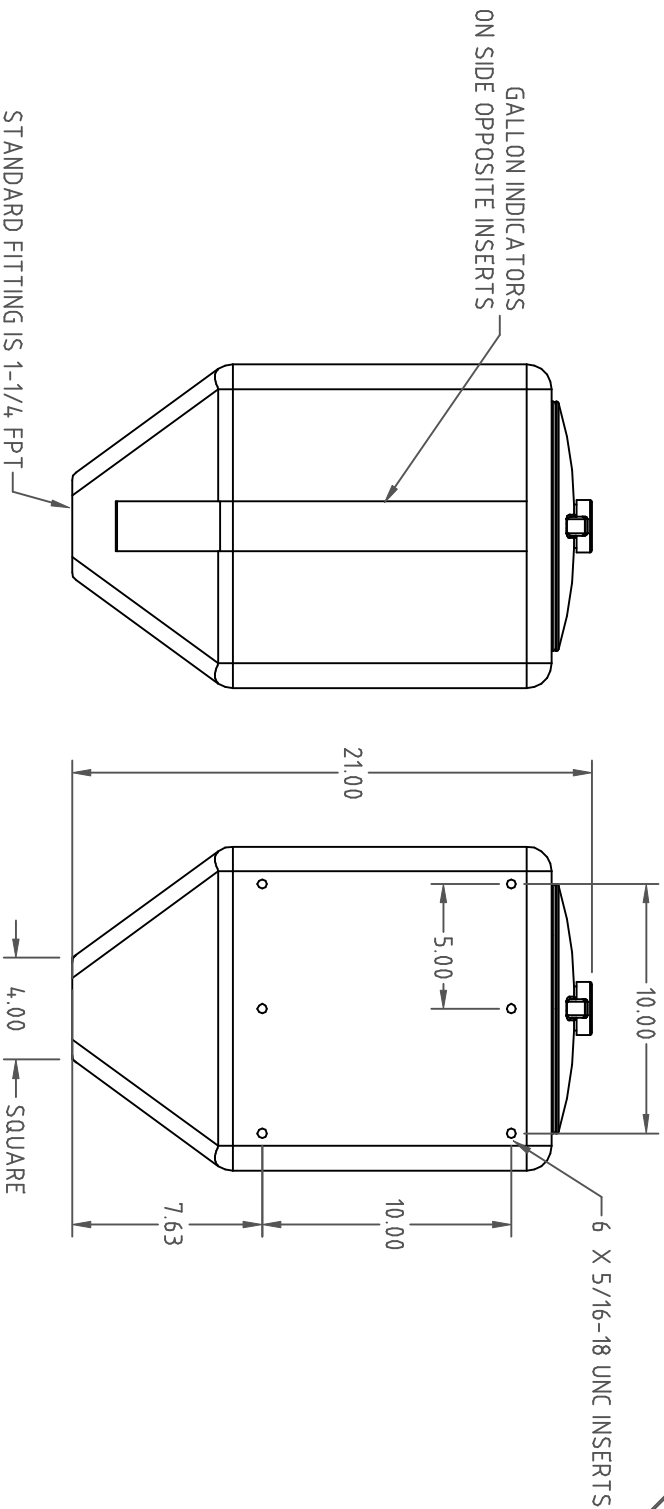
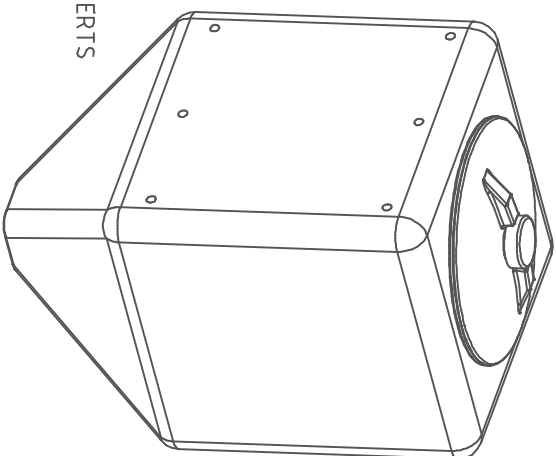
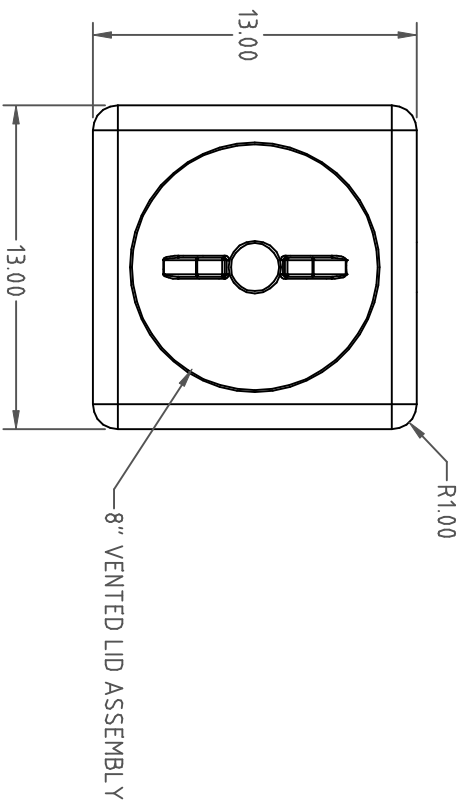


SP0010-SQ8

A



REV	DESCRIPTION	DATE	APPRD	DRAWN / DATE	REH/4/24/02
A	CHANGE INSERTS TO 5/16	2/24/05		APPRD. / DATE	REH/4/24/02

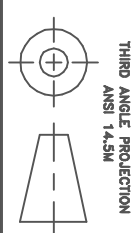
MATERIAL	SHOT WEIGHT
M111	M134
	U625
	P938

NOTES:
1. .220 NOMINAL WALL



10 GALLON RINSE TANK

ALL DIMENSIONS ARE IN DECIMAL INCHES
TOLERANCES UNLESS OTHERWISE SPECIFIED
+ .5% @ 68° F



SCALE	N.S.	PART NO.	SP0010-SQ8
-------	------	----------	------------