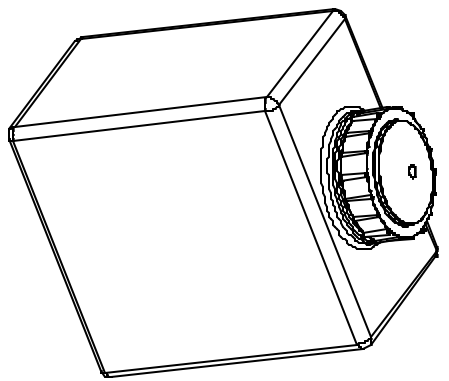


**NOTE: THIS PRODUCT IS NOT DESIGNED TO CONTAIN PETROLEUM PRODUCTS. CONSULT THE FACTORY REGARDING CHEMICAL COMPATIBILITY**



DRAWN / DATE		REH/08/15/00		MATERIAL / SHOT WEIGHT		M111 M135 U625 P938		ACE PROTO-MOLD	
APPRD. / DATE		REH/08/15/00		NOTES:		1. NATURAL COLOR		A DIVISION OF DEN HARTOG INDUSTRIES, INC.	
TOLERANCE WAS +/- .5%		10/09/01		THIRD ANGLE PROJECTION		14.5M		CLIENT / DESCRIPTION	
DESCRIPTION		DATE		APPRD.		DATE		ACE 7 GALLON RECTANGULAR TANK	
REV		DATE		APPRD.		DATE		SCALE	
								N.S.	
								PART NO.	
								SP0007-RT	

ALL DIMENSIONS ARE IN DECIMAL INCHES  
TOLERANCES UNLESS OTHERWISE SPECIFIED  
+ .2% @ 68° F