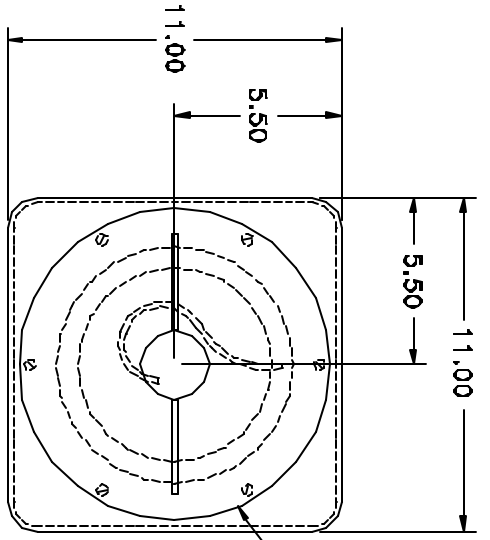
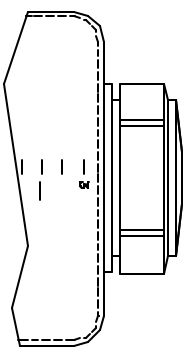


SP0005-SQ8
SP0005-SQ5

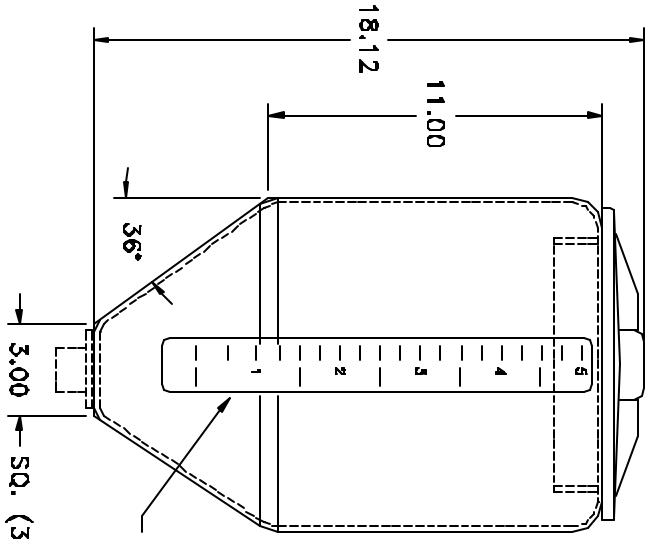


VENTED LID OPTIONS
8" SCREW-ON LID (SHOWN)
WITH NYLON LANYARD
6" SCREW-ON LID



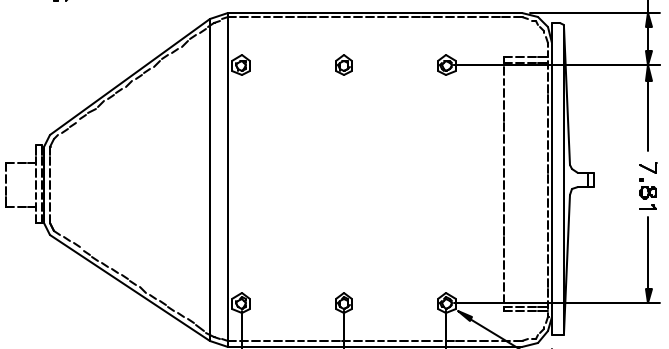
6" SCREW-ON LID OPTION

SP0005-SQ5



3.00 SQ. (3/4" THRU 1-1/2" NPT RAISED FITTING OPT.)

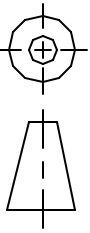
GALLON INDICATORS



5/16-18 NC INSERT X 6
OPPOSITE GAL. INDICATORS

DRAWN / DATE		MATERIAL / SHOT WEIGHT		CLIENT / DESCRIPTION	
REH/1/16/97		M111	M135	M134	7902
APPRD. / DATE		M111		ACE 5 GAL. MINI-INDUCTOR TANK	
REH/1/16/97		5.5		A DIVISION OF DEN HARTOG INDUSTRIES, INC. HIGHWAY 60 SOUTH, HOSPERS, IOWA	
REV	DESCRIPTION	DATE	APPRD.		

THIRD ANGLE PROJECTION
ANSI 1.4.5M



ALL DIMENSIONS ARE IN DECIMAL INCHES
TOLERANCES UNLESS OTHERWISE SPECIFIED
+ .5% @ 68° F

NOTES:
1. 2.7% SHRINK ALLOWANCE
2. SHIP PART W/CAP INSTALLED

SCALE N.S.
PART NO. YELLOW COLOR = SP0005-SQ8-Y
WHITE COLOR = SP0005-SQ8-W