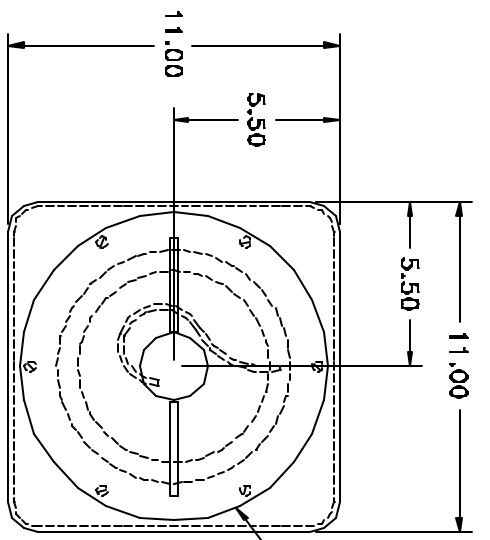
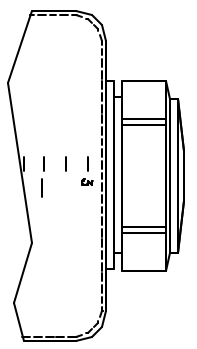


SP0004-S08
 SP0004-S05

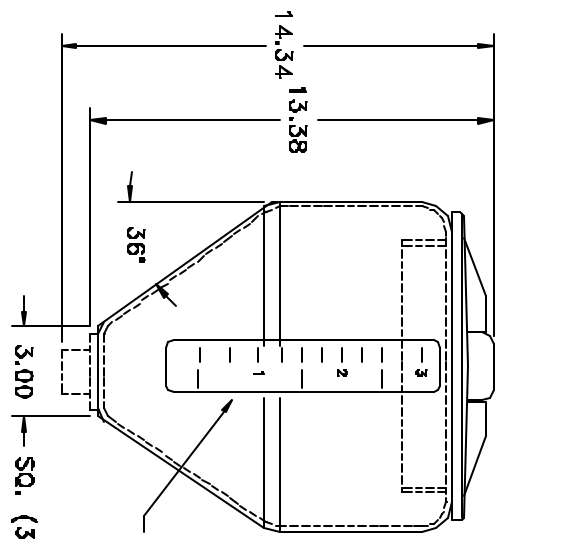


VENTED LID OPTIONS
 8" SCREW-ON LID (SHOWN)
 WITH NYLON LANYARD
 6" SCREW-ON LID

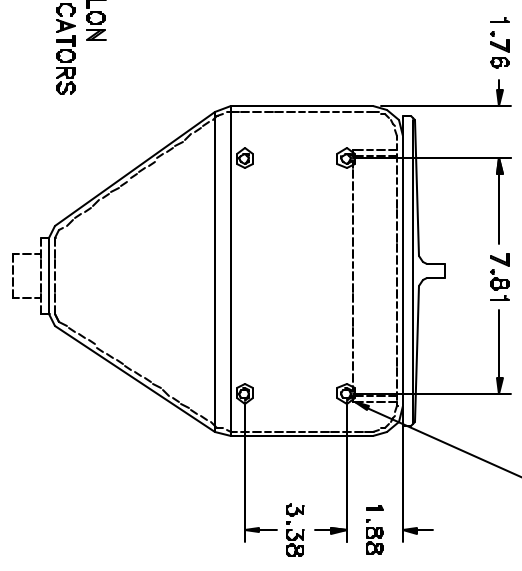
6" SCREW-ON LID OPTION



SP0004-S05



GALLON INDICATORS
 SQ. (3/4" THRU 1-1/2" NPT RAISED FITTING OPT.)



5/16-18 NC INSERT X 4
 OPPOSITE GAL. INDICATORS

REV	DESCRIPTION	DATE	APPRD

DRAWN / DATE	REH/1/16/97
APPRD. / DATE	REH/1/16/97

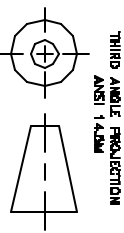
MATERIAL / SHOT WEIGHT	M111	M135	M134	7902
		5.5		

ACE FOTO-MOLD
 A DIVISION OF DEN HARTOG INDUSTRIES, INC.
 HIGHWAY 60 SOUTH, HOSPERS, IOWA

CLIENT / DESCRIPTION
 ACE 4 GAL. MINI-INDUCTOR TANK

SCALE
 N.S.

PART NO.
 YELLOW COLOR = SP0004-S08-Y
 WHITE COLOR = SP0004-S08-W



NOTES:
 1. 2.7% SHRINK ALLOWANCE
 2. SHIP PART W/CAP INSTALLED

ALL DIMENSIONS ARE IN DECIMAL INCHES
 TOLERANCES UNLESS OTHERWISE SPECIFIED
 + .5% @ 88° F