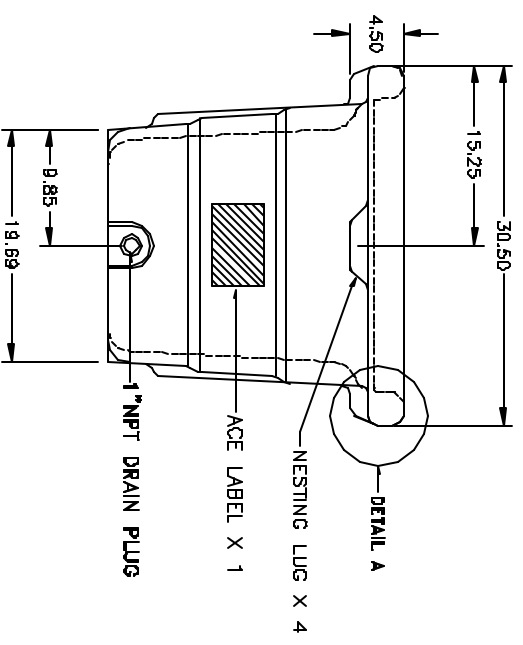
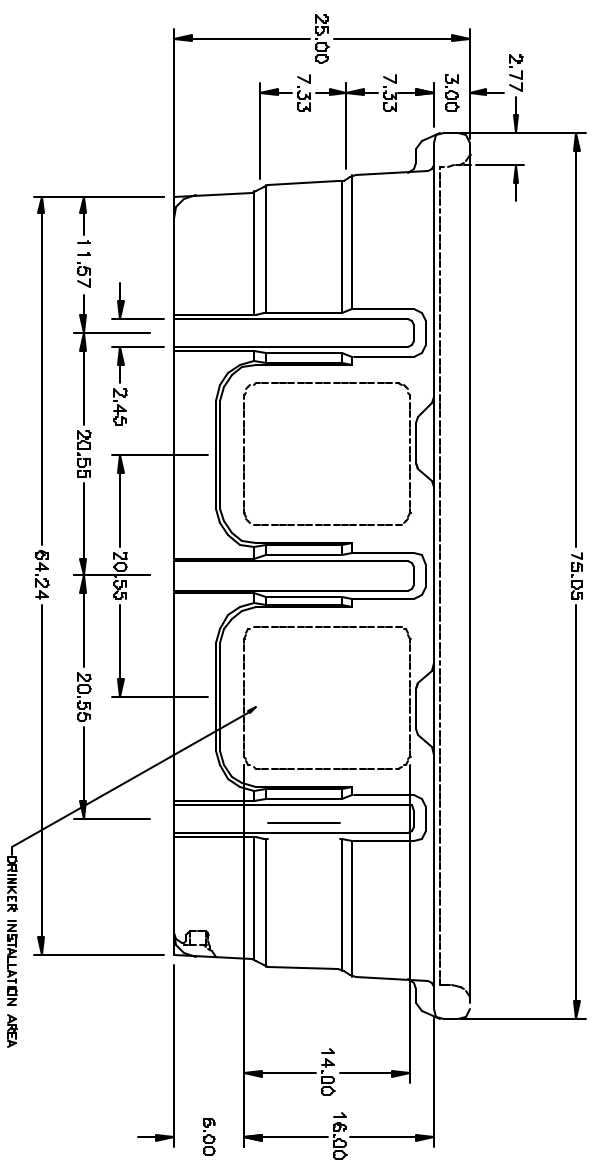
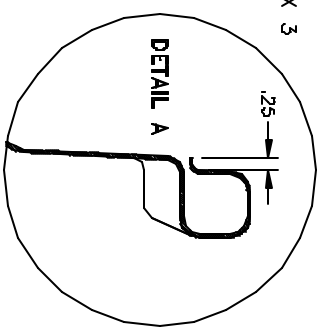
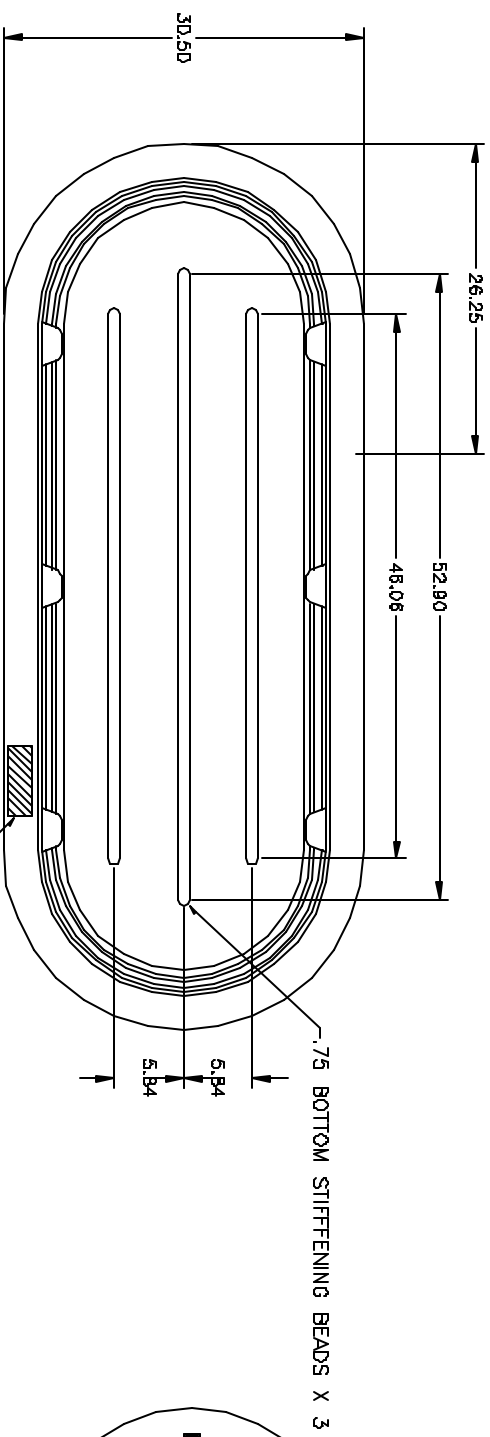


RE226



|                                      |  |   |      |               |      |             |  |
|--------------------------------------|--|---|------|---------------|------|-------------|--|
| REV                                  |  | DESCRIPTION   |      | DATE          |      | APPRD       |  |
| DRAWN / DATE                         |  | REH/5/22/98   |      | APPRD. / DATE |      | REH/5/22/98 |  |
| MATERIAL / SHOT WEIGHT               |  | M111  | M135 | U625          | P938 |             |  |
| THIRD ANGLE PROJECTION<br>ANSI 14.0M |  | NOTES:<br>1. NOM. WALL = .150<br>2. STD. COLOR TO BE FOREST GREEN |      |               |      |             |  |
| CLIENT / DESCRIPTION                 |  | ACE / RE-226 POLY STOCK TANK                                      |      |               |      |             |  |
| SCALE                                |  | N.S.  |      |               |      |             |  |
| PART NO.                             |  | RE-226  |      |               |      |             |  |

**ACE FOTO-MOLD**

A DIVISION OF DEN HARTOG INDUSTRIES, INC.  
4010 HWY. 60 BLVD., BOX 425, HOSPER, IA. 51238

ALL DIMENSIONS ARE IN DECIMAL INCHES  
TOLERANCES UNLESS OTHERWISE SPECIFIED  
± .5% @ 88° F