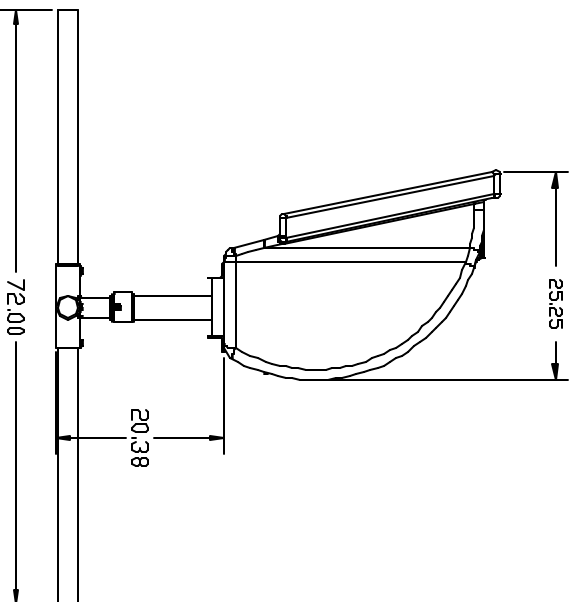
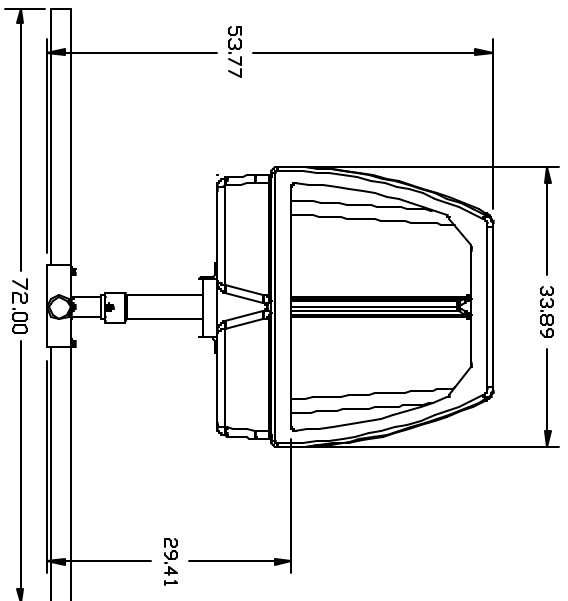
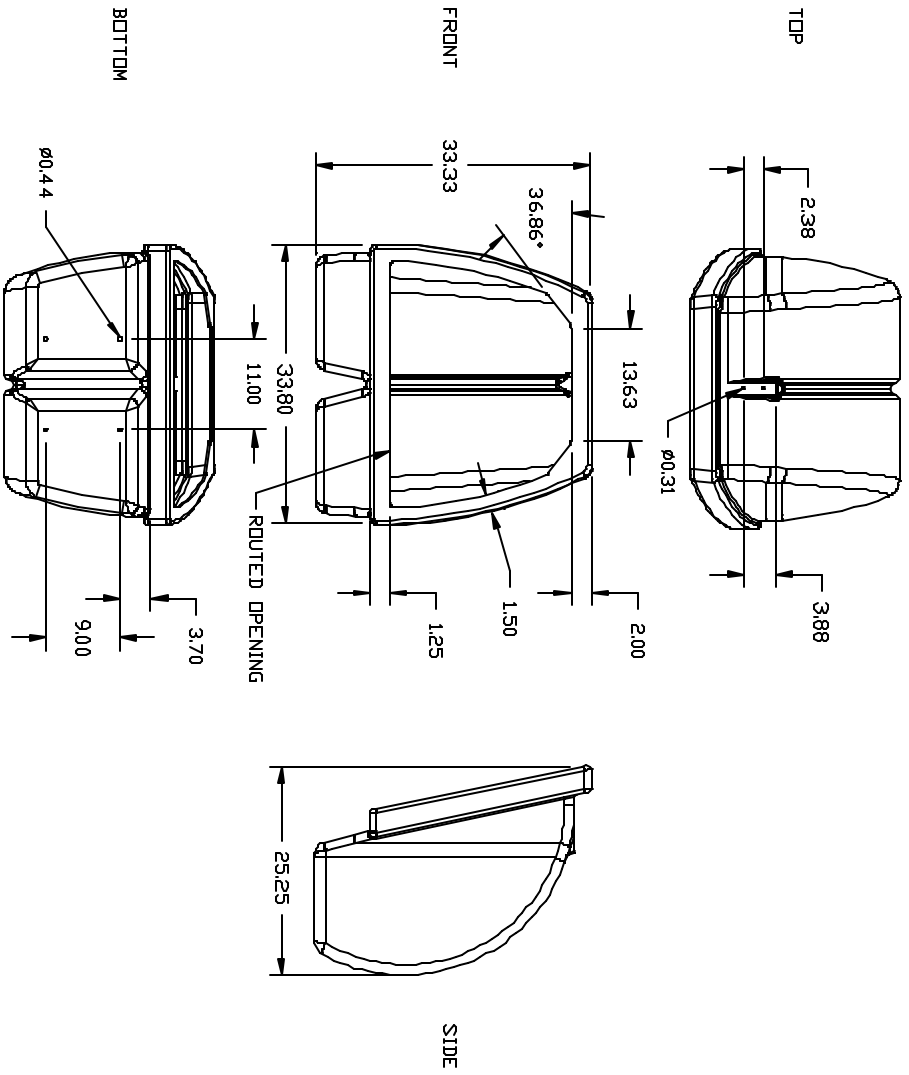


PROPRIETARY DATA

PROPERTY OF ACE ROTO-MOLD MFG., INC. INFORMATION FURNISHED HEREIN IS THE PROPERTY OF ACE ROTO-MOLD MFG., INC. AND SHALL NOT BE USED, DISCLOSED TO OTHERS, OR COPIED WITHOUT THE EXPRESSED WRITTEN CONSENT OF ACE ROTO-MOLD MFG., INC. ALL RIGHTS RESERVED.

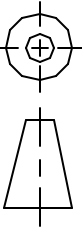
ASSEMBLY

MF-10198



REV	DESCRIPTION	DATE	APPRD.	DRAWN / DATE	MATERIAL
				NVE 6/15/05	
				APPRD. / DATE	NOTE: 1.34 LDFE OR EQUIVALENT REFERENCE MATERIAL DATA SHEET FOR SPECIFIC PROPERTIES.
				DHU 6/22/05	

THIRD ANGLE PROJECTION
ANSI 14.2M



Age Roto-Mold
A DIVISION OF DAN HANCOCK INDUSTRIES, INC.
4018 HWY. 60 BLVD., BOX 421, HOSPERS, IOWA 51238

CLIENT / DESCRIPTION: MINERAL FEEDER

SCALE: N.S.

PART NO.: MF-10198

ALL DIMENSIONS ARE IN DECIMAL INCHES
TOLERANCES UNLESS OTHERWISE SPECIFIED
+ 1% ϕ 6R F