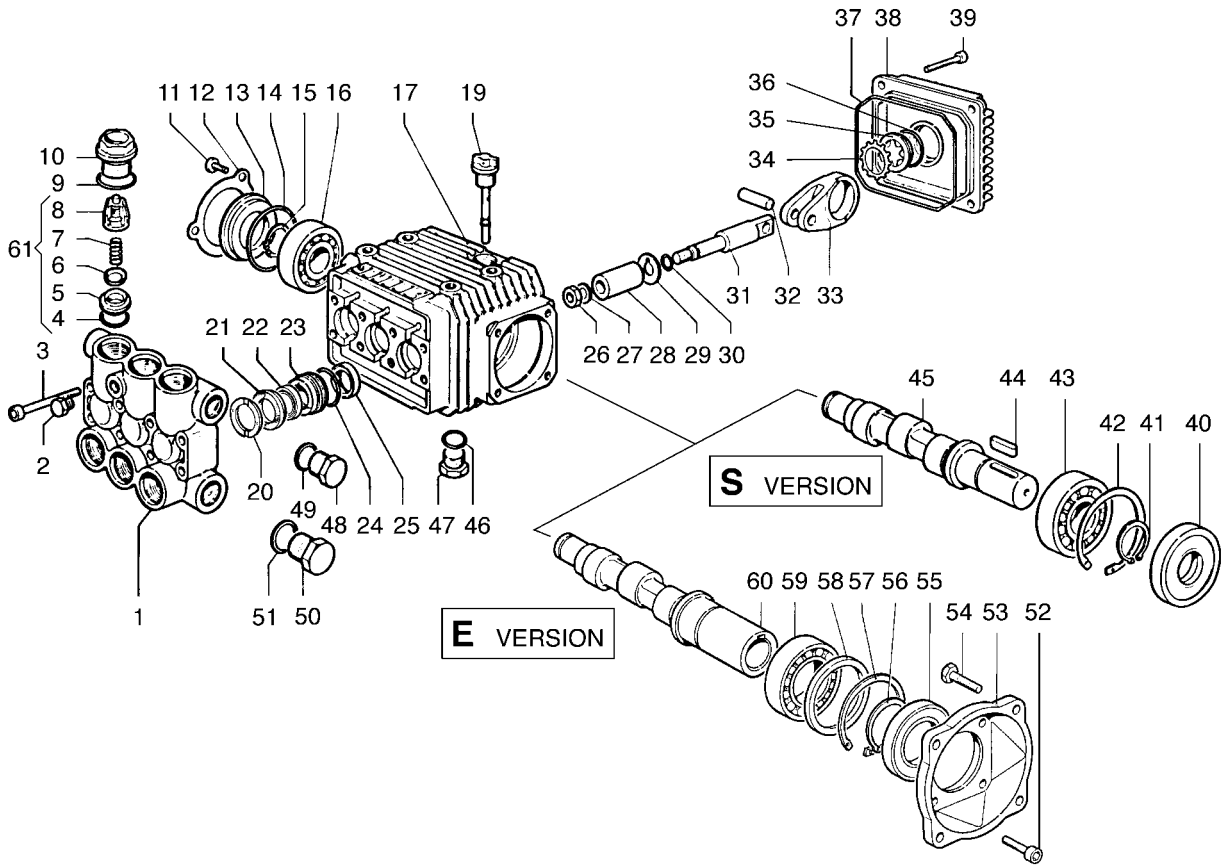


# LWS VERSION - 1750 RPM



| POS. ITEM | CODICE PART No. | KIT KIT | DESCRIZIONE DESCRIPTION  | Q.tà Qty. | MODELLI MODELS   |
|-----------|-----------------|---------|--------------------------|-----------|--|
| 1         | 3218.0105.00    |         | MANIFOLD Ø 18 mm ALUM.   | 1         | 3010 S - 3010 E<br>3508 S - 4007 S   |
|           | 3218.0106.00    |         | MANIFOLD Ø 15 mm ALUM.   | 1         | 2010 S - 2010 E  |
|           | 3218.0107.00    |         | MANIFOLD Ø 18 mm BRASS   | 1         | 3010 S - 3010 E<br>3015 S - 3020 S<br>3020 E - 3025 S<br>3508 S - 3513 S<br>3517 S - 3525 S<br>4007 S - 4015 S<br>4020 S                             |
|           | 3218.0108.00    |         | MANIFOLD Ø 15 mm BRASS   | 1         | 2010 S - 2010 E<br>2015 S - 2015 E<br>2020 S - 2020 E  |
|           | 3202.0018.00    |         | CAP G1/8                 | 1         |  |
| 2         | 3202.0018.00    |         | CAP G1/8                 | 1         |  |
|           | 3609.0108.00    |         | SCREW M6X55              | 8         | 2010 S - 2010 E<br>2015 S - 2015 E<br>2020 S - 2020 E<br>3010 S - 3010 E<br>3015 S - 3020 S<br>3020 E - 3508 S<br>3513 S - 3517 S<br>4007 S - 4015 S |
| 3         | 3609.0152.00    |         | SCREW M6X55              | 8         | 3025 S - 3525 S<br>4020 S  |
| 4         | 1210.0046.00    | A-D     | O-RING 2,62X 17,13 mm    | 6         |  |
| 5         | 3009.0087.00    | A       | VALVE SEAT               | 6         |  |
| 6         | 3604.0017.00    | A       | VALVE PLATE              | 6         |  |
| 7         | 1802.0177.00    | A       | SPRING                   | 6         |  |
| 8         | 1205.0025.00    | A       | VALVE GUIDE              | 6         |  |
| 9         | 1210.0048.00    | A-D     | O-RING 2,62X 20,24 mm    | 6         |  |
| 10        | 3202.0155.00    |         | CAP                      | 6         |  |
| 11        | 3609.0088.00    |         | SCREW M5X10              | 3         |  |
| 12        | 1004.0012.00    |         | CRANKCASE COVER          | 1         |  |
| 13        | 0402.0172.00    |         | SPACER                   | 1         |  |
| 14        | 1210.0386.00    | D       | O-RING 3,53X44,04 mm     | 1         |  |
| 15        | 3019.0011.00    |         | SNAP RING                | 1         |  |
| 16        | 0438.0066.00    |         | BALL BEARING 20X52X15 mm | 1         | 2010 S - 2010 E<br>2015 S - 2015 E<br>2020 S - 2020 E<br>3010 S - 3010 E<br>3015 S - 3020 S<br>3020 E - 3508 S<br>3513 S - 3517 S<br>4007 S - 4015 S |
|           | 0438.0069.00    |         | BALL BEARING 20X52X15 mm | 1         | 3025 S - 3525 S<br>4020 S  |

| POS. ITEM | CODICE PART No. | KIT KIT | DESCRIZIONE DESCRIPTION | Q.tà Qty. | MODELLI MODELS   |
|-----------|-----------------|---------|-------------------------|-----------|--|
| 17        | 0403.0128.00    |         | CRANKCASE               | 1         |  |
| 19        | 3200.0051.00    |         | OIL DIPSTICK            | 1         |  |
| 20        | 0009.0193.00    | B       | HEAD RING Ø18 mm        | 3         | 3010 S - 3010 E<br>3015 S - 3020 S<br>3020 E - 3025 S<br>3508 S - 3513 S<br>3517 S - 3525 S<br>4007 S - 4015 S<br>4020 S |
|           | 0009.0196.00    | B       | HEAD RING Ø15 mm        | 3         | 2010 S - 2010 E<br>2015 S - 2015 E<br>2020 S - 2020 E  |
| 21        | 1241.0034.00    | B       | PACKING Ø15 mm          | 3         | 2010 S - 2010 E<br>2015 S - 2015 E<br>2020 S - 2020 E  |
|           | 1241.0035.00    | B       | PACKING Ø18 mm          | 3         | 3010 S - 3010 E<br>3015 S - 3020 S<br>3020 E - 3025 S<br>3508 S - 3513 S<br>3517 S - 3525 S<br>4007 S - 4015 S<br>4020 S |
| 22        | 1241.0030.00    | B       | PACKING 15X22X5,5 mm    | 3         | 2010 S - 2010 E<br>2015 S - 2015 E<br>2020 S - 2020 E  |
|           | 1241.0028.00    | B       | PACKING 18X25X5,5 mm    | 3         | 3010 S - 3010 E<br>3015 S - 3020 S<br>3020 E - 3025 S<br>3525 S - 3508 S<br>3513 S - 3517 S<br>4007 S - 4015 S<br>4020 S |
| 23        | 0009.0198.00    |         | PACKING RETAINER Ø15 mm | 3         | 2010 S - 2010 E<br>2015 S - 2015 E<br>2020 S - 2020 E  |
|           | 0009.0197.00    |         | PACKING RETAINER Ø18 mm | 3         | 3010 S - 3010 E<br>3015 S - 3020 S<br>3020 E - 3025 S<br>3525 S - 3508 S<br>3513 S - 3517 S<br>4007 S - 4015 S<br>4020 S |
| 24        | 1210.0223.00    | B-D     | O-RING 1,78X26,7 mm     | 3         |  |
| 25        | 0019.0095.00    | D       | OIL SEAL 15X24X5 mm     | 3         |  |
| 26        | 0600.0048.00    | C       | NUT                     | 3         |  |
| 27        | 2811.0080.00    | C       | WASHER 8,2X14X1,5 mm    | 3         |  |

# LWS VERSION - 1750 RPM

| POS. ITEM | CODICE PART No. | KIT KIT | DESCRIZIONE DESCRIPTION | Q.tà Qty. | MODELLI MODELS   |
|-----------|-----------------|---------|-------------------------|-----------|--|
| 28        | 0202.0018.00    | C       | PISTON Ø18 mm           | 3         | 3010 S - 3010 E<br>3015 S - 3020 S<br>3020 E - 3025 S<br>3508 S - 3513 S<br>3517 S - 3525 S<br>4007 S - 4015 S<br>4020 S |
|           | 0202.0020.00    | C       | PISTON Ø15 mm           | 3         | 2010 S - 2010 E<br>2015 S - 2015 E<br>2020 S - 2020 E  |
| 29        | 2812.0038.00    | C       | WASHER                  | 3         |  |
| 30        | 1210.0055.00    | C-D     | O-RING 1,78X6,07 mm     | 3         |  |
| 31        | 2409.0044.00    |         | PISTON GUIDES           | 3         |  |
| 32        | 3011.0014.00    |         | WRIST. PIN              | 3         |  |
| 33        | 0205.0048.00    |         | CON. ROD                | 3         | 2010 S - 2010 E<br>2015 S - 2015 E<br>2020 S - 2020 E<br>3010 S - 3010 E<br>3508 S - 3513 S<br>4007 S                    |
|           | 0205.0050.00    |         | CON. ROD                | 3         | 3015 S - 3020 S<br>3020 E - 3025 S<br>3517 S - 3525 S<br>4015 S - 4020 S   |
| 34        | 3019.0033.00    |         | SNAP RING               | 1         |  |
| 35        | 3201.0010.00    |         | OIL INDICATOR           | 1         |  |
| 36        | 1210.0333.00    | D       | O-RING 1,78X23,52 mm    | 1         |  |
| 37        | 1210.0206.00    | D       | O-RING 2,62X101,27 mm   | 1         |  |
| 38        | 0402.0142.00    |         | CRANKCASE COVER         | 1         |  |
| 39        | 3609.0041.00    |         | SCREW M6X25             | 4         |  |
| 46        | 1210.0441.00    | D       | O-RING 2X14 mm          | 1         |  |
| 47        | 3200.0007.00    |         | CAP 3/8GAS OT58         | 1         |  |
| 48        | 3200.0007.00    |         | CAP 3/8GAS OT58         | 1         |  |
| 49        | 2811.0084.00    |         | WASHER 16,7X22X1,5 mm   | 1         |  |
| 50        | 3202.0015.00    |         | CAP G1/2                | 1         |  |
| 51        | 2811.0086.00    |         | WASHER 21,2X27X1,5 mm   | 1         |  |
| 61        | 1220.0030.00    |         | VALVE ASS. BLY.         | 6         |  |

## S version

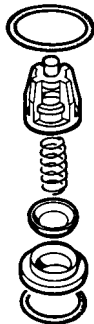
| POS. ITEM | CODICE PART No. | KIT KIT | DESCRIZIONE DESCRIPTION  | Q.tà Qty. | MODELLI MODELS  |
|-----------|-----------------|---------|--------------------------|-----------|---|
| 40        | 0019.0094.00    | D       | OIL SEAL 25X62X70/7 mm   | 1         |   |
| 41        | 3019.0006.00    |         | SNAP RING C72            | 1         |   |
| 42        | 3020.0012.00    |         | SNAP RING C72            | 1         |   |
| 43        | 0438.0071.00    |         | BALL BEARING 25X62X17 mm | 1         | 3025 S - 3525 S<br>4020 S   |
|           | 0438.0075.00    |         | BALL BEARING 25X62X17 mm | 1         | 2010 S - 2015 S<br>2020 S - 3010 S<br>3015 S - 3020 S<br>3508 S - 3513 S<br>3517 S - 4007 S<br>4015 S |
| 44        | 1602.0045.00    |         | KEY 8X7X25 mm            | 1         |   |
| 45        | 0001.0290.00    |         | CRANKSHAFT Ø24 mm        | 1         | 3508 S - 3513 S<br>3517 S - 3525 S  |
|           | 0001.0294.00    |         | CRANKSHAFT Ø24 mm        | 1         | 4007 S - 4015 S<br>4020 S   |
|           | 0001.0333.00    |         | CRANKSHAFT Ø24 mm        | 1         | 2010 S - 2015 S<br>2020 S - 3010 S<br>3020 S - 3025 S<br>3513 S                                       |

## E version

| POS. ITEM | CODICE PART No. | KIT KIT | DESCRIZIONE DESCRIPTION  | Q.tà Qty. | MODELLI MODELS |
|-----------|-----------------|---------|--------------------------|-----------|----------------|
| 52        | 3609.0032.00    |         | SCREW M6X20              | 4         |                |
| 53        | 3016.0016.00    |         | FLANGE                   | 1         |                |
| 54        | 3607.0200.00    |         | SCREW 3/8"16X3/4"        | 4         |                |
| 55        | 0019.0075.00    | D       | OIL SEAL 35X62X 7 mm     | 1         |                |
| 56        | 3019.0004.00    |         | SNAP RING C72            | 1         |                |
| 57        | 3020.0012.00    |         | SNAP RING C72            | 1         |                |
| 58        | 2812.0064.00    |         | WASHER                   | 1         |                |
| 59        | 0438.0015.00    |         | BALL BEARING 35X62X14 mm | 1         |                |
| 60        | 0001.0338.00    |         | CRANKSHAFT 5/8"          | 1         |                |

### KIT VALVOLA ASP.-MAND. COMPLETE VALVE KIT 5025.0011.00

#### KIT A

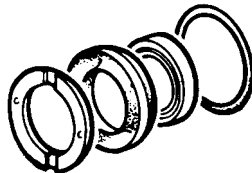


#### 5025.0011.00

| POS. ITEM | CODICE PART No. | Q.tà Qty. |
|-----------|-----------------|-----------|
| 4         | 1210.0046.00    | 6         |
| 5         | 3009.0087.00    | 6         |
| 6         | 3604.0017.00    | 6         |
| 7         | 1802.0177.00    | 6         |
| 8         | 1205.0025.00    | 6         |
| 9         | 1210.0048.00    | 6         |

### KIT GUARNIZIONI PISTONE / PISTON SEAL KIT Ø 15 mm 5019.0035.00 - Ø 18 mm 5019.0037.00

#### KIT B



#### 5019.0035.00

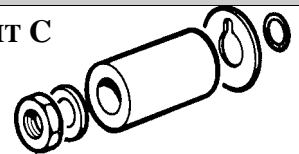
| POS. ITEM | CODICE PART No. | Q.tà Qty. |
|-----------|-----------------|-----------|
| 20        | 0009.0196.00    | 3         |
| 21        | 1241.0034.00    | 3         |
| 22        | 1241.0030.00    | 3         |
| 24        | 1210.0223.00    | 3         |

#### 5019.0037.00

| POS. ITEM | CODICE PART No. | Q.tà Qty. |
|-----------|-----------------|-----------|
| 20        | 0009.0193.00    | 3         |
| 21        | 1241.0035.00    | 3         |
| 22        | 1241.0028.00    | 3         |
| 24        | 1210.0223.00    | 3         |

### KIT PISTONE / PISTON KIT Ø 15 mm 2409.0071.00 - Ø 18 mm 2409.0072.00

#### KIT C



#### 2409.0071.00

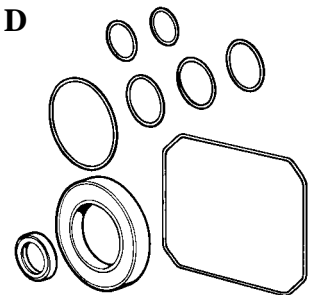
| POS. ITEM | CODICE PART No. | Q.tà Qty. |
|-----------|-----------------|-----------|
| 26        | 0600.0048.00    | 3         |
| 27        | 2811.0080.00    | 3         |
| 28        | 0202.0020.00    | 3         |
| 29        | 2812.0038.00    | 3         |
| 30        | 1210.0055.00    | 3         |

#### 2409.0072.00

| POS. ITEM | CODICE PART No. | Q.tà Qty. |
|-----------|-----------------|-----------|
| 26        | 0600.0048.00    | 3         |
| 27        | 2811.0080.00    | 3         |
| 28        | 0202.0018.00    | 3         |
| 29        | 2812.0038.00    | 3         |
| 30        | 1210.0055.00    | 3         |

### KIT GUARNIZIONI POMPA / SEAL KIT ALBERO MASCHIO / SOLID SHAFT 5019.0040.00 ALBERO FEMMINA / HOLLOW SHAFT 5019.0041.00

#### KIT D



#### 5019.0040.00

| POS. ITEM | CODICE PART No. | Q.tà Qty. |
|-----------|-----------------|-----------|
| 4         | 1210.0046.00    | 6         |
| 9         | 1210.0048.00    | 6         |
| 14        | 1210.0386.00    | 1         |
| 24        | 1210.0223.00    | 3         |
| 25        | 0019.0095.00    | 3         |
| 30        | 1210.0055.00    | 3         |
| 36        | 1210.0333.00    | 1         |
| 37        | 1210.0206.00    | 1         |
| 40        | 0019.0094.00    | 1         |
| 46        | 1210.0441.00    | 1         |

#### 5019.0041.00

| POS. ITEM | CODICE PART No. | Q.tà Qty. |
|-----------|-----------------|-----------|
| 4         | 1210.0046.00    | 6         |
| 9         | 1210.0048.00    | 6         |
| 14        | 1210.0386.00    | 1         |
| 24        | 1210.0223.00    | 3         |
| 25        | 0019.0095.00    | 3         |
| 30        | 1210.0055.00    | 3         |
| 36        | 1210.0333.00    | 1         |
| 37        | 1210.0206.00    | 1         |
| 46        | 1210.0441.00    | 1         |
| 55        | 0019.0075.00    | 1         |