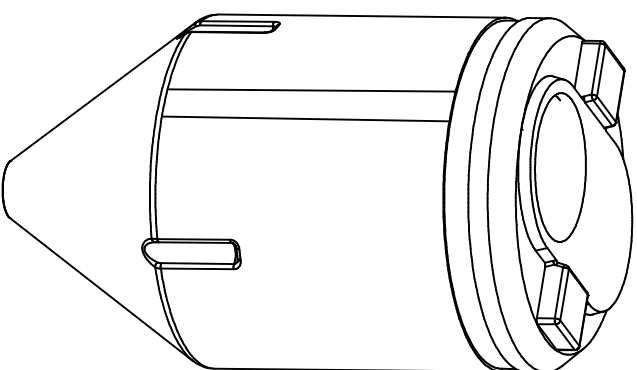
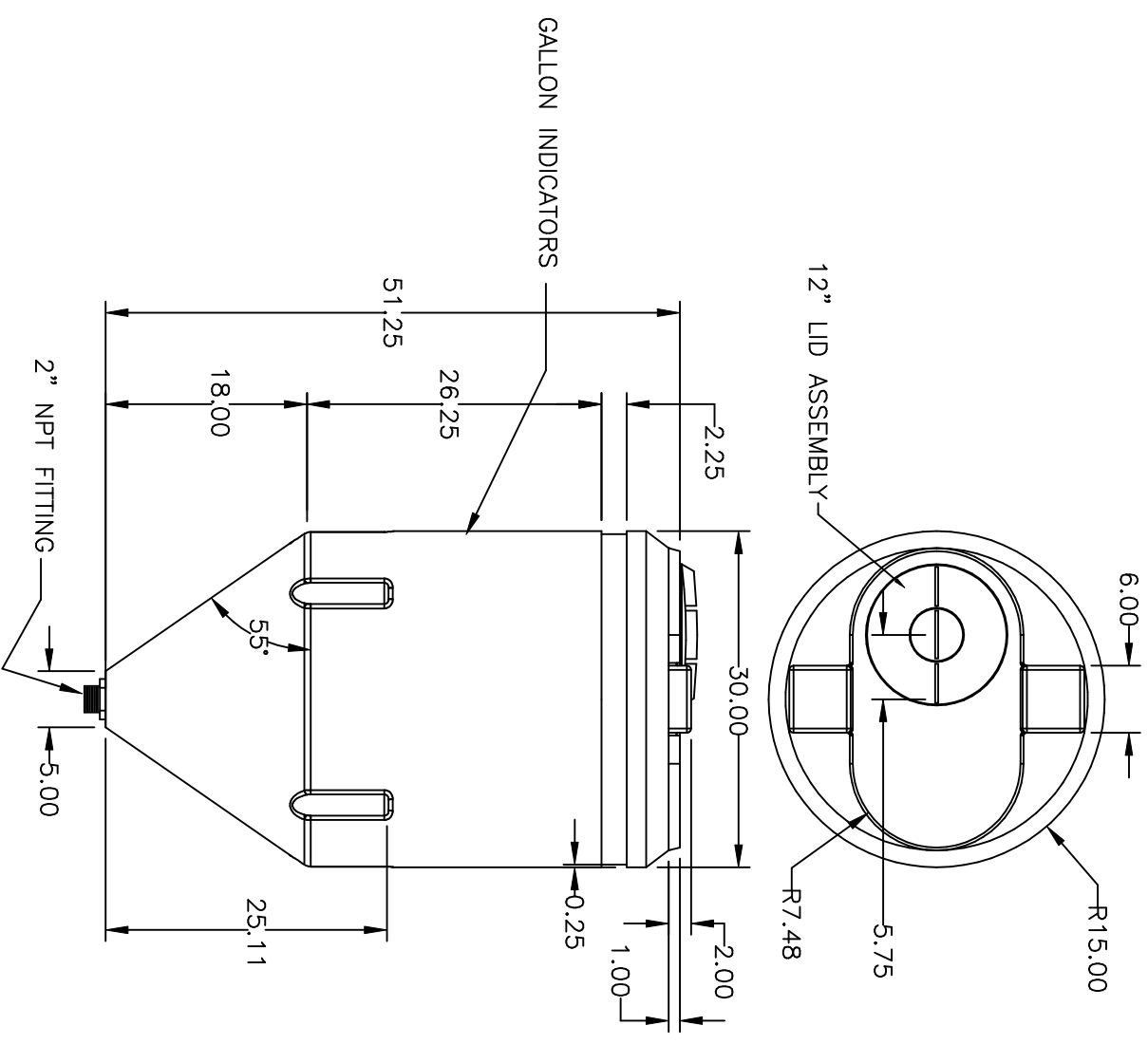


IN0110-30

A



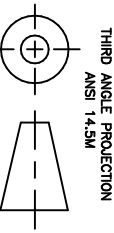
REV	DESCRIPTION	DATE	APPRD	DRAWN / DATE	REH / 6/14/99	DATE	APPRD	REH / 6/14/99	MATERIAL
A	CHANGE DEGREE ON CONE	4/2/03							42 LB. MOBIL 134

**ACE ROTO MOLD**  
 A DIVISION OF DEN HARTOG INDUSTRIES, INC.  
 4018 HWY. 60 BLVD. BOX 421, HOSPERS, IOWA 51238

CLIENT / DESCRIPTION: 110 GAL. INDUCTOR TANK

SCALE: N.S. PART NO. IN0110-30

ALL DIMENSIONS ARE IN DECIMAL INCHES  
 TOLERANCES UNLESS OTHERWISE SPECIFIED  
 + .5% @ 68° F



THIRD ANGLE PROJECTION  
 ANSI 14.5M

MATERIAL

42 LB. MOBIL 134

NOTES:  
 1. NATURAL COLOR  
 2. NOM. WALL .200