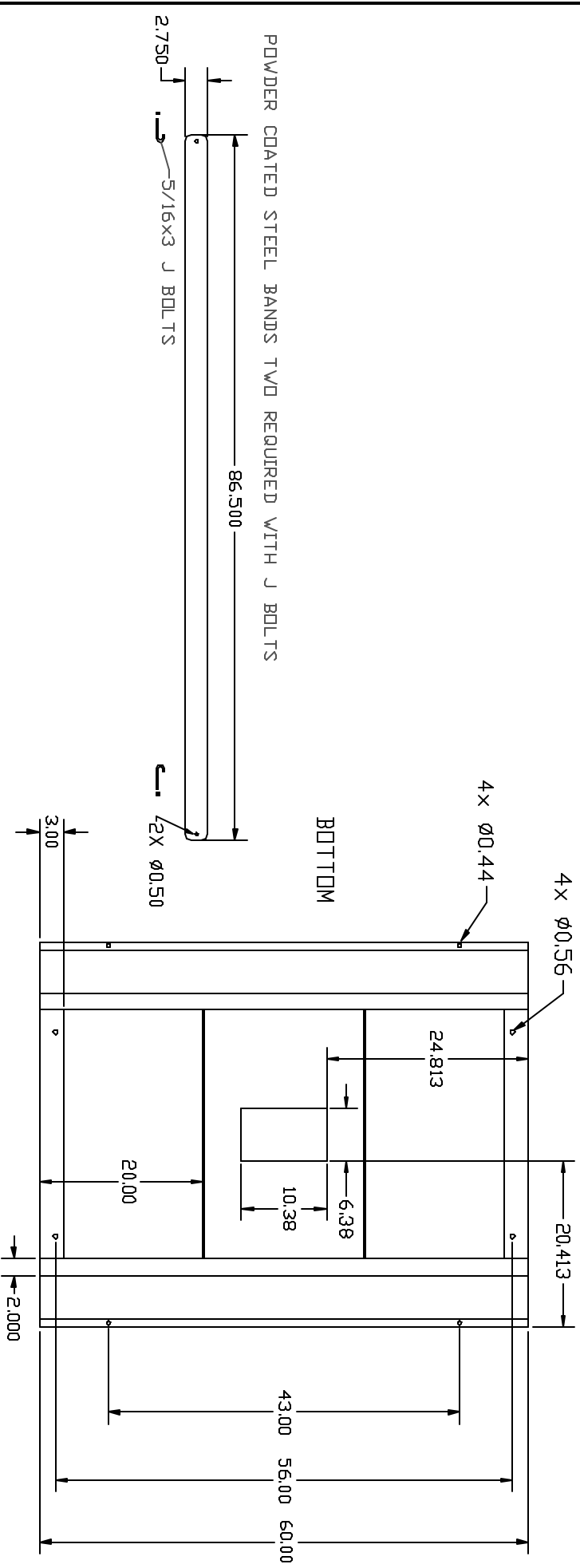
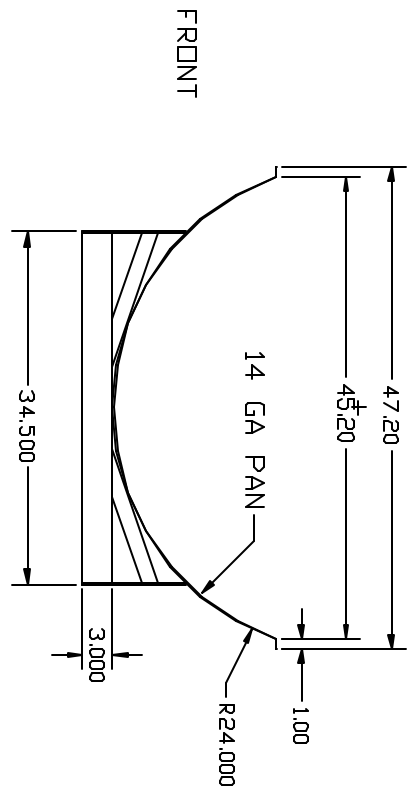
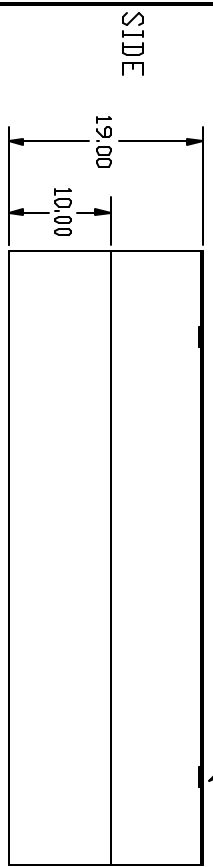


PROPRIETARY DATA

PROPERTY OF ACE ROTOMOLD MFG. INC. INFORMATION FURNISHED HEREIN IS THE PROPERTY OF ACE ROTOMOLD MFG. INC. AND SHALL NOT BE USED, DISCLOSED TO OTHERS, OR COPIED WITHOUT THE EXPRESSED WRITTEN CONSENT OF ACE ROTOMOLD MFG. INC. ALL RIGHTS RESERVED.

THICKENED TO .40 AT HOLES

HZ0500-C

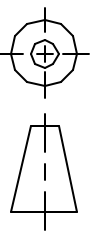


POWDER COATED STEEL BANDS TWO REQUIRED WITH J BOLTS

5/16X3 J BOLTS

REV	DESCRIPTION	DATE	APPRO	DRAWN / DATE	MATERIAL
				NVE 7/11/05	STEEL
				APPRO. / DATE	
				DHL 9/27/15	

THIRD ANGLE PROJECTION
ANSI Z39.1-1998



NOTES:

- 1. POWDER COATED - BLACK COLOR
- 2. WEIGHT 171 LBS.

CLIENT / DESCRIPTION

CRADLE FOR 501 GALLON HORIZONTAL TANK



SCALE

N.S.

PART NO.

HZ0500-C

ALL DIMENSIONS ARE IN DECIMAL INCHES
TOLERANCES UNLESS OTHERWISE SPECIFIED
± 1% @ 68° F