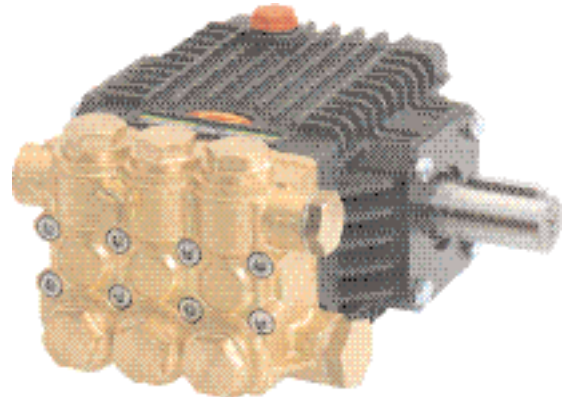


FEATURES

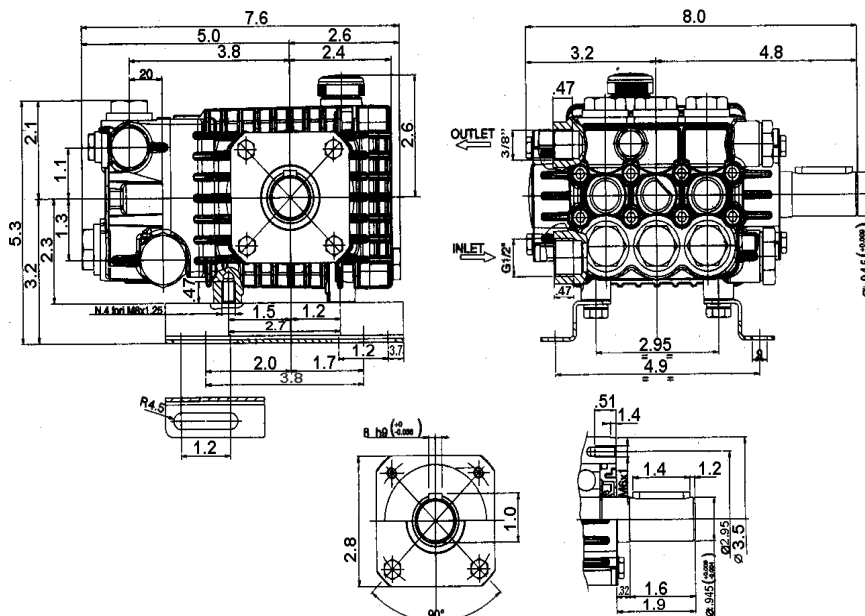
- Compact design
- Oversized bearings for long life
- New generation seal system for longer life
- Forged brass manifold with an exclusive lifetime warranty*



SPECIFICATIONS

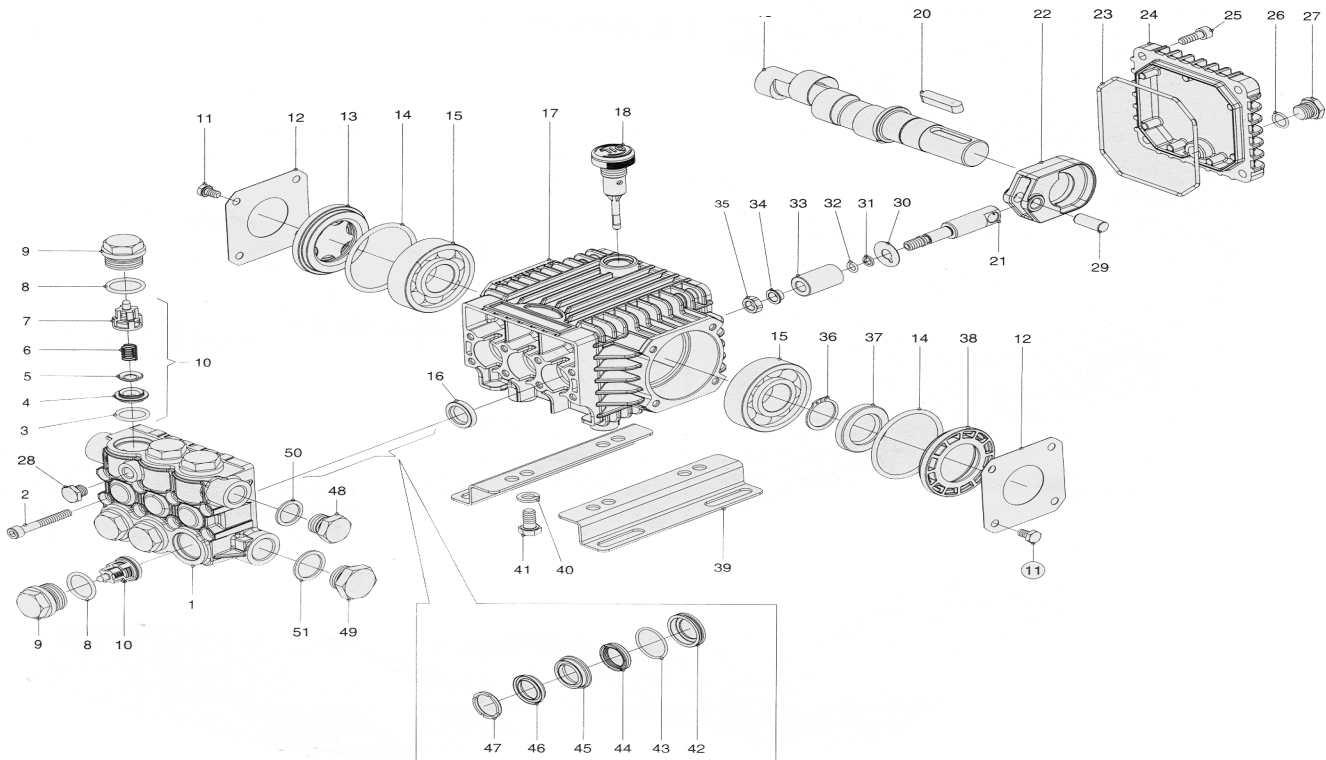
Pump Model	TC1509S17	TC1511S17	TC1809S17	TC1811S17	TC1507S34	TC1508S17
Maximum Volume	1.75/2.1 GPM	2.1/2.6 GPM	2.5/3.1 GPM	3.25/3.9 GPM	3.0 GPM	3.3 GPM
Maximum Discharge Pressure	2500 PSI	2500 PSI	2260 PSI	2200 PSI	2700 PSI	2500 PSI
Horsepower	3.0/3.6 EBHP	3.6/4.4 EBHP	3.7/4.6 EBHP	4.9/5.8 EBHP	5.5 EBHP	5.65 EBHP
Maximum Pump Speed	1450/1750 RPM				3400 RPM	
Maximum Inlet Pressure	125 PSI					
Minimum Inlet Pressure	3 Ft. Water / 2.6 in. Hg.				Flooded	
Plunger Bore (in / mm)	.591 in / 15 mm		.709 in / 18 mm		.591 in / 15 mm	
Plunger Stroke (in / mm)	.370 in / 9.4 mm	.453 in / 11.5 mm	.370 in / 9.4 mm	.453 in / 11.5 mm	.283 in / 7.2mm	.315 in / 8 mm
Oil Capacity	11.8 oz					
Maximum Fluid Temperature	165°F					
Inlet Port Thread	1/2 - 14 BSP-F					
Discharge Port Thread	3/8 - 19 BSP-F					
Shaft Diameter	.945 in / 24 mm					
Weight	15.2 lbs					
Dimensions	7.6 x 8.0 x 4.9 in					

DIMENSIONAL DRAWING



TC Series "60"

GENERAL PUMP *A member of the Interpump Group*



PARTS LIST

ITEM	PART NO.	DESCRIPTION	KIT NO.	QTY.	ITEM	PART NO.	DESCRIPTION	KIT NO.	QTY.	ITEM	PART NO.	DESCRIPTION	KIT NO.	QTY.
1.	60120041	Manifold, 15 mm		1	19.	60021265	Crankshaft, 9.4 mm Stroke		1	38.	50211551	Spacer		1
	60120141	Manifold, 18 mm		1		60021765	Crankshaft, 11.5 mm Stroke		1	39.	50200074	Pump Foot, 7/8"		2
2.	99195000	Screw, M6 x 45		8	20.	91489200	Key		1	40.	96701600	Washer		4
3.	90384100	O-ring	123	6	21.	60050066	Plunger Guide		3	41.	99303700	Screw, M8x16		4
4.	36200366	Valve Seat	123	6	22.	60030022	Connecting Rod		3	42.	60080070	Seal, LP, 15mm	200,226	3
5.	36200176	Valve	123	6	23.	90391800	O-ring, Cover		1		60080170	Seal, LP, 18mm	225,227	3
6.	94737600	Spring	123	6	24.	60160022	Rear Crankcase Cover		1	43.	90360400	O-ring, .989x.070	200,225,226,227	3
7.	36202551	Valve Cage	123	6	25.	99186700	Screw, M6 x 18		4	44.	90260800	Seal, LP, 15 mm	196,226	3
8.	90384700	O-ring		6	26.	90358500	O-ring		1		90265000	Seal, LP, 18mm	197,227	3
9.	98221400	Valve Cap		6	27.	98204100	Plug, 1/4" G		1	45.	60216070	Intermediate Ring, 15	198,226	3
10.	36711501	Valve Assembly	123	6	28.	98196600	Plug, 1/8" G		1		60216170	Intermediate Ring, 18	199,227	3
11.	99180700	Screw, M6 x 10		8	29.	97733300	Wrist Pin		3	46.	90262000	Seal, HP, 15mm	196,226	3
12.	50150074	Bearing Cover		2	30.	96707000	Washer		3		90268100	Seal, HP, 18mm	197,227	3
13.	44211801	Oil Level Indicator		1	31.	90502200	Anti-ext. Ring		3	47.	51100051	Head Ring, 15mm	196,226	3
14.	90409700	O-ring		2	32.	90357300	O-ring, 5.28x1.78		3		51100151	Head Ring, 18mm	197,227	1
15.	91832800	Ball Bearing		2	33.	60040009	Ceramic Plunger, 15mm		3	48.	98210000	Plug, 3/8"		1
16.	90156500	Oil Seal	83	3		60040109	Ceramic Plunger, 18mm		3	49.	98217600	Plug, 1/2"		1
17.	60010022	Crankcase		1	34.	44211570	Bushing		3	50.	96738000	Gasket, Alum., 3/8"		1
18.	98210300	Oil Dip Stick		1	35.	92221600	Nut, M8		3	51.	96751400	Gasket, Alum., 1/2"		1
19.	60020765	Crankshaft, 7.2 mm Stroke		1	36.	90063500	Circlip		1					
	60020965	Crankshaft, 8.0 mm Stroke		1	37.	90163400	Oil Seal		1					

TORQUE SPECS*

KIT NO.	K83	K123	K196 or K197 (15mm) (18mm)	K198 or K199 (15mm) (18mm)	K200 or K225 (15mm) (18mm)	K226 or K227 (15mm) (18mm)
ITEM NO's INCLUDED IN KIT	16	3, 4, 5, 6, 7 (10)	44, 46, 47	45	42, 43	42, 43, 44, 45, 46, 47
NUMBER OF ASSEMBLIES IN KIT	3	6	3	3	3	1
NUMBER OF CYLINDERS KIT WILL SERVICE	3	3	3	3	3	1

Pos.	Ft/lb	Nm
2	8.8	12
9	59.0	80
11	7.4	10
25	7.4	10
27	14.7	20
28	9.6	13
35	11.1	15
41	14.7	20
48	29.5	40
49	29.5	40

* Decrease torque by 20% if threads are lubricated