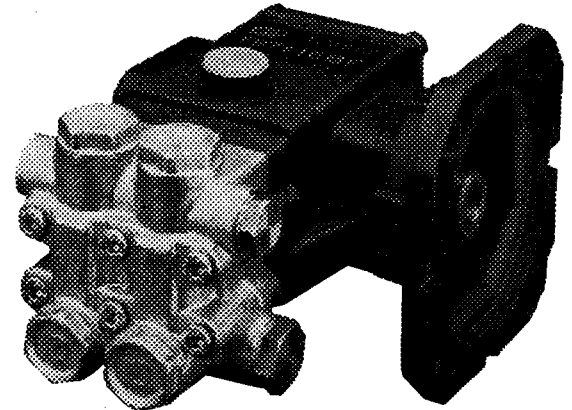


### FEATURES

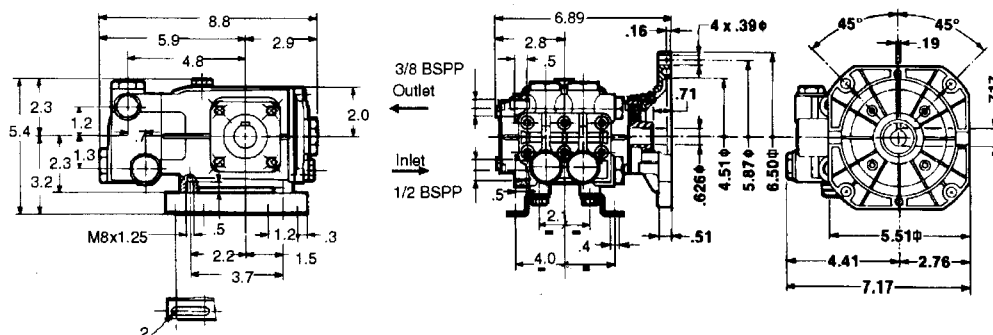
- Specifically designed for the demands of the water jetting industry
- Available in three flow rates to meet the industry's demanding application requirements
- Forged brass manifold with a lifetime warranty against erosion and freezing
- Solid ceramic plungers
- Designed for continuous duty
- Superior seal life
- Nema 56C flange for direct mounting to standard electric motors
- Five-year warranty against defects in material and workmanship, from date of shipment (see price book for complete details)

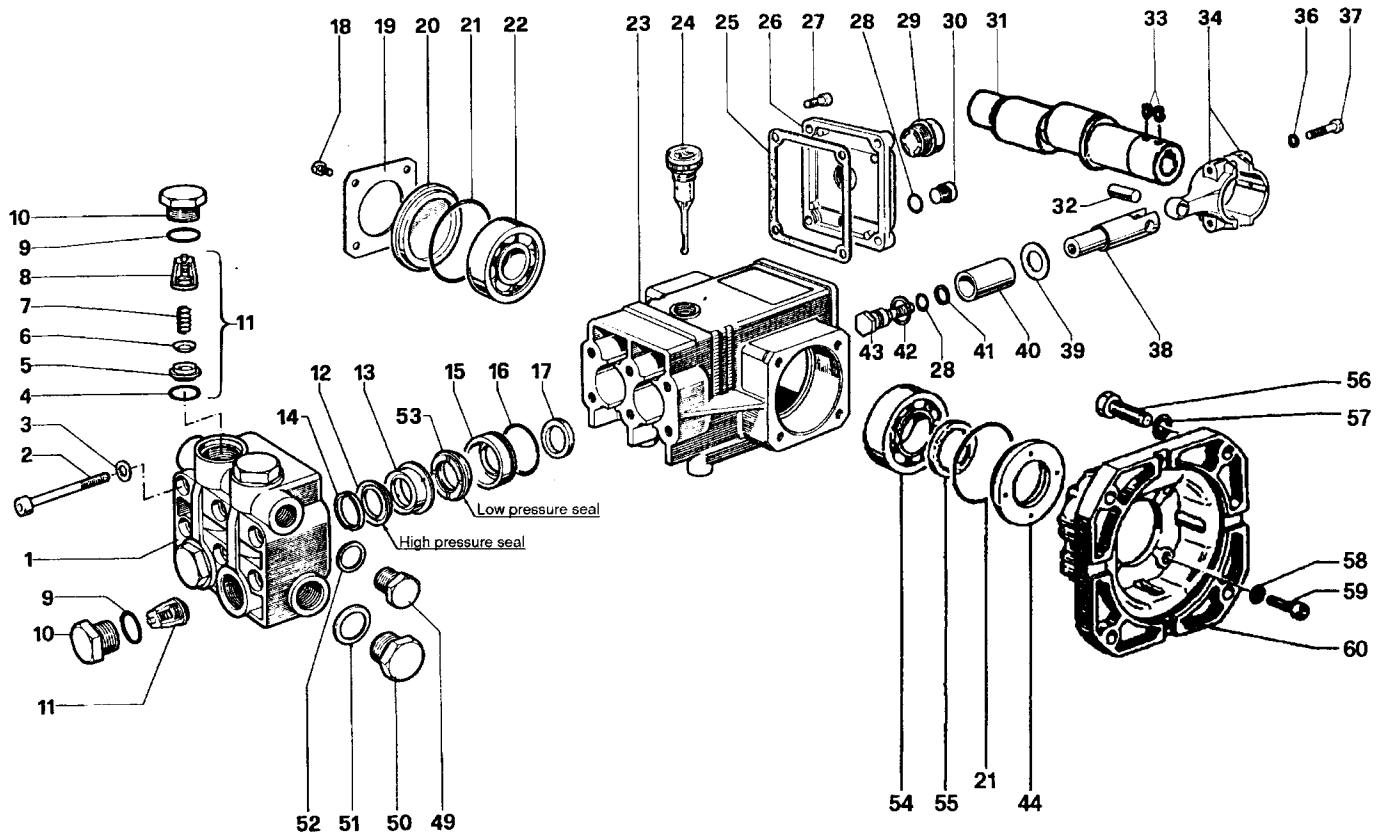


### SPECIFICATIONS

Pump Model	T9711EBF	T9721EBF	T9731EBF
Maximum Volume	1.70 GPM	2.11 GPM	2.85 GPM
Maximum Discharge Pressure	1500 PSI		
Maximum Pump Speed	1750 RPM		
Maximum Inlet Pressure	125 PSI		
Maximum Inlet Vacuum	9 ft. water (7.9 in. Hg)		
Bore	.787 in. / 20 mm		
Stroke (in. / mm)	.260 / 6.6	.307 / 7.8	.413 / 10.5
Crankcase Oil Capacity	10.1 oz.		
Maximum Fluid Temperature	165°F		
Inlet Port Thread	1/2-14 BSPP-F		
Discharge Port Thread	3/8-19 BSPP-F		
Shaft Diameter.	5/8 in. I.D.		
Weight	16 lbs.		
Dimensions	8.8 x 6.8 x 5.4 in.		

### DIMENSIONAL DRAWING





## PARTS LIST

ITEM	PART NO.	DESCRIPTION	KIT QTY.	ITEM	PART NO.	DESCRIPTION	KIT QTY.	ITEM	PART NO.	DESCRIPTION	KIT QTY.
1.	49.1200.41	Head, Pump, Brass	1	20.	50.2116.51	Spacer	1	38.	50.0500.56	Guide, Piston	2
2.	99.3175.00	Screw, M8 x 60	6	21.	90.4097.00	O-Ring, 2.187 x .139	2	39.	96.7286.00	Washer, M14 x 28 x .5	6
3.	96.7014.00	Washer, M8.4 x 13 x 0.8	6	22.	91.8329.00	Bearing, Ball	2	40.	50.0404.09	Piston (20 mm)	2
4.	90.3841.00	O-Ring, .674 x .103	1	23.	49.0104.22	Crankcase	1	41.	90.5067.00	Ring, Back-up, .433 x .551 x .055	6
5.	36.2003.66	Seat, Valve	1	24.	98.2103.00	Oil Dip Stick	1	42.	96.7280.00	Washer, M14 x 18.5 x .5	6
6.	36.2001.76	Plate, Valve	1	25.	49.2119.84	Gasket, Cover	1	43.	47.2195.66	Screw, Piston	6
7.	94.7376.00	Spring	1	26.	49.1603.22	Cover, Crankcase	1	44.	50.2115.51	Spacer	1
8.	36.2002.51	Guide, Valve	1	27.	99.1837.00	Screw, M6 x 14	4	49.	98.2100.00	Cap, 3/8-BSPP	1
9.	90.3847.00	O-Ring, .797 x .103	4	28.	90.3585.00	O-Ring, .426 x .070	6	50.	98.2176.00	Cap, 1/2-BSPP	1
10.	98.2220.00	Cap, M24 x 2 x 16	4	29.	97.5968.00	Indicator, Oil	1	51.	96.7514.00	Washer, M21.5 x 27 x 1.5	1
11.	36.7032.01	Assembly, Valve	1	30.	98.2041.00	Cap, 1/4-BSPP	1	52.	96.7380.00	Washer, M17.5 x 23 x 1.5	1
12.	90.2703.00	Packing	19, 27	31.	49.0209.65	Crankshaft, T9711EBF	1	53.	90.2698.00	Seal, Low Press., 20mm 19,27	2
13.	50.2166.70	Ring, Intermediate	20, 27		49.0210.65	Crankshaft, T9721EBF	1	54.	91.8373.00	Bearing	1
14.	50.1000.51	Ring, Head	21, 27		49.0211.65	Crankshaft, T9731EBF	1	55.	90.1644.00	Oil Seal	1
15.	50.0805.70	Retainer, Packing	22, 27	32.	97.7330.00	Pin, Wrist	2	56.	99.3345.00	Bolt, Mounting	4
16.	90.3612.00	O-Ring, 1.239 x .070	22, 27	33.	99.1790.00	Set Screw	2	57.	96.7104.00	Washer	4
17.	90.1614.00	Seal, Oil	23	34.	50.0300.01	Rod, Connecting	2	58.	96.6938.00	Washer	4
18.	99.1807.00	Screw, M6 x 10	8	36.	96.6939.00	Washer, M6.4 x 10 x .7	4	59.	99.1867.00	bolt, M6x18	4
19.	50.1500.74	Cover, Crankcase	2	37.	99.1927.00	Screw, M6 x 35	4	60.	10.0583.22	Flange, Nema 56C	1

## REPAIR KITS

KIT NO.	1	4	6	19	20	21	22	23	27
ITEM NO'S INCLUDED IN KIT	4, 5, 6, 7, 8 (11)	9, 10	28, 39, 41, 42, 43	12, 53	13	14	15, 16	17	12, 13, 14, 15, 16, 53
NUMBER OF ASSEMBLIES IN KIT	6	6	3	3	3	6	3	3	1
NUMBER OF CYLINDERS KIT WILL SERVICE	3	3	-	3	3	3	3	3	1

## TORQUE SPECS\*

Position	Ft.-lbs.
2	14.7
10	73.7
18	7.3
27	7.3
29	13.2
30	14.7
37	8.8
43	14.7
49	5.1
50	29.4
59	14.7

\*Decrease torque by 20% if threads are lubricated.

