

FEATURES

- The preferred pump frame in the pressure cleaning industry
- Forged brass manifold with an exclusive lifetime warranty
- Large-capacity, die-cast, anodized aluminum oil-bath crankcase
- Over-sized connecting rods for maximum life
- Heavy-duty tapered roller bearing.
- Unitized stainless steel inlet and discharge valves
- Available in left-handed "L" version

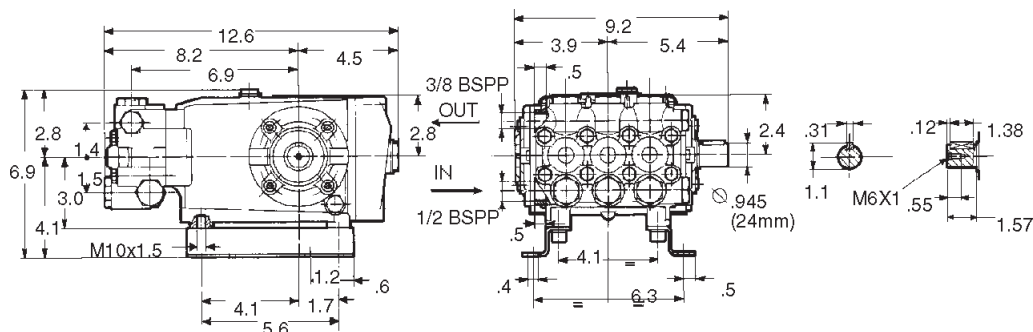


SPECIFICATIONS

Pump Model	T9281-N
Maximum Volume	4.0 GPM
Maximum Discharge Pressure	4000 PSI
Maximum Pump Speed	1750 RPM
Maximum Inlet Pressure	125 PSI
Maximum Inlet Vacuum	9 ft. water (7.9 in. Hg)
Bore	.630 in. / 16 mm
Stroke	.630 in. / 16 mm
Crankcase Oil Capacity	40.6 oz.
Maximum Fluid Temperature	165°F
Inlet Port Thread	1/2-14 BSPP-F
Discharge Port Thread	3/8-19 BSPP-F
Shaft Diameter.	.945 in. / 24 mm
Weight	33 lbs.
Dimensions	12.6 x 9.2 x 6.9 in.

N=Nickel-plated manifold

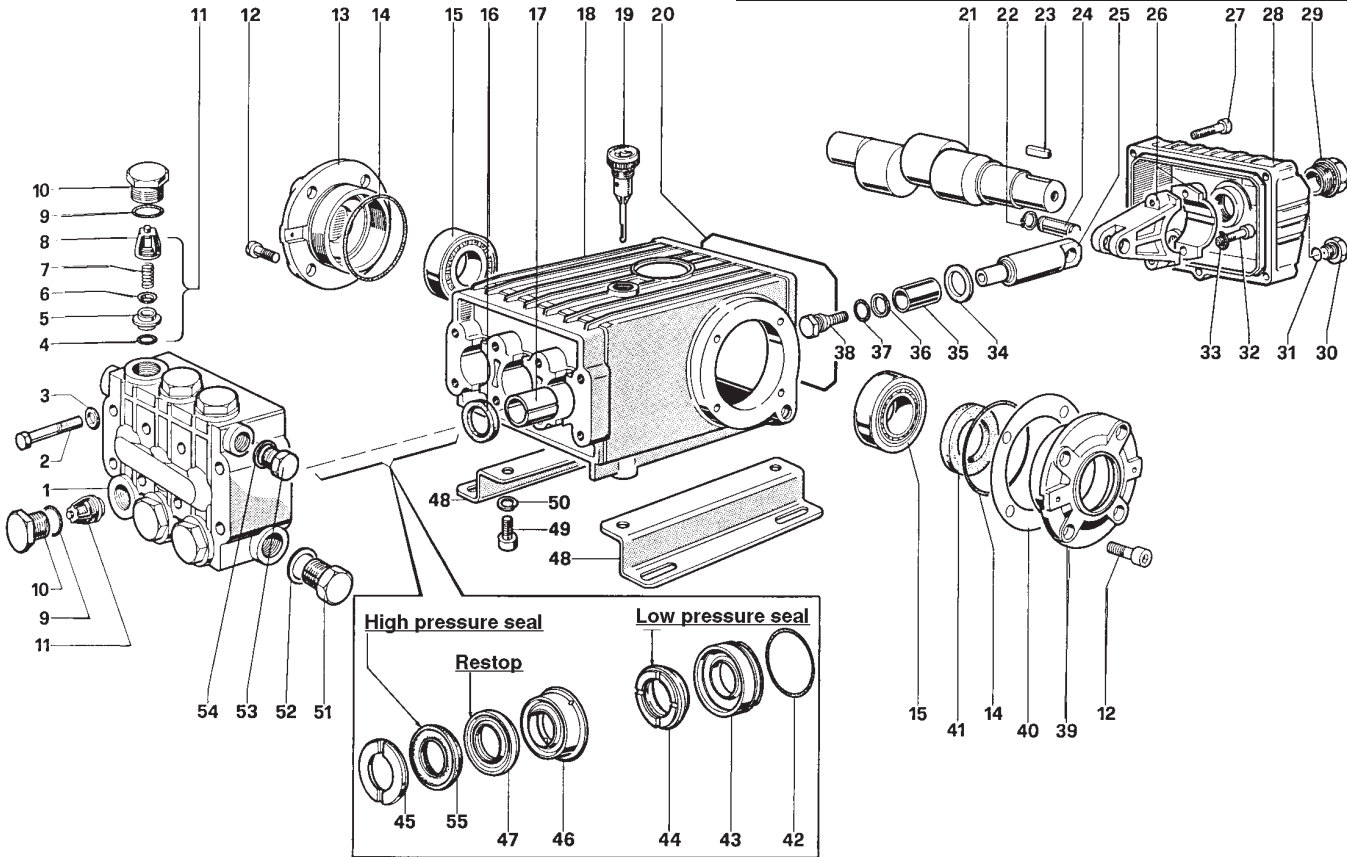
DIMENSIONAL DRAWING



T Series 47 S – 16 mm x 16 mm

GENERAL PUMP

A member of the Interpump Group



PARTS LIST

ITEM PART NO.	DESCRIPTION	KIT NO.	QTY.	ITEM PART NO.	DESCRIPTION	KIT NO.	QTY.	ITEM PART NO.	DESCRIPTION	KIT NO.	QTY.
1. 47121441	Manifold		1	19. 98210600	Cap		1	38. 47219666	Plunger Screw	107	3
2. 99320600	Screw		8	20. 90392200	O-Ring, Cover		1	39. 47150022	Crankcase Cover		1
3. 96702000	Washer		8	21. 47021735	Crankshaft		1	40. 97567800	Shim		2
4. 90384100	O-Ring	1	6	22. 90055700	Cir-Clip		6	41. 90164800	Ring	3	1
5. 36200366	Valve Seat	1	6	23. 91489000	Key		1	42. 90361600	O-Ring	111,112	3
6. 36200176	Valve	1	6	24. 97738000	Plunger Pin		3	43. 47080870	Packing Retainer	111,112	3
7. 94737600	Spring	1	6	25. 47050654	Plunger Guide		3	44. 90264400	Seal, Low Press., 16mm	109,112	3
8. 36200251	Valve Guide	1	6	26. 47030001	Connecting Rod		3	45. 47100351	Head Ring	108,112	3
9. 90384700	O-Ring	106	6	27. 99191200	Screw		5	46. 47217270	Intermed. Ring	110,112	3
10. 98222400	Cap	106	6	28. 47160122	Crankcase Cover		1	47. 90264300	Restop Ring	109,112	3
11. 36703201	Valve Unit	1	6	29. 97596800	Oil Indicator		1	48. 47200074	Foot		2
12. 99303900	Screw		8	30. 98204100	Cap		1	49. 99364400	Screw		4
13. 47150122	Crankcase Cover		1	31. 90358500	O-Ring		1	50. 96710600	Washer		4
14. 90391300	O-Ring		2	32. 99309900	Screw		6	51. 98217600	Cap		1
15. 64047	Bearing		2	33. 96701400	Washer		6	52. 96751400	Washer		1
16. 90162500	Ring	2	3	34. 47211747	Ring		3	53. 98210000	Cap		1
17. 90912600	Bushing		3	35. 47040856	Plunger (16 mm)		3	54. 96738000	Washer		1
18. 47010222	Crankcase		1	36. 90503300	Anti-Ext. Ring	107	3	55. 90264200	Packing	109,112	3
				37. 90357700	O-Ring	107	3				

REPAIR KITS

KIT NO.	1	2	3	106	107	108	109	110	111	112
ITEM NO.s INCLUDED IN KIT	4, 5, 6, 7, 8, (11)	16	41	9, 10	36, 37, 38	45	44, 47, 55	46	42, 43	42, 43, 44, 45, 46, 47, 55
NUMBER OF ASSEMBLIES IN KIT	6	3	2	6	3	6	3	3	3	1
NUMBER OF CYLINDERS KIT WILL SERVICE	6	3	2	6	3	6	3	3	3	1

TORQUE SPECS*

Position	Ft.-lbs.
2	22.1
10	73.7
12	14.7
27	7.3
29	13.2
30	14.7
32	14.7
38	14.7
49	29.4
51	29.4
53	29.4

*Decrease torque by 20% if threads are lubricated.

