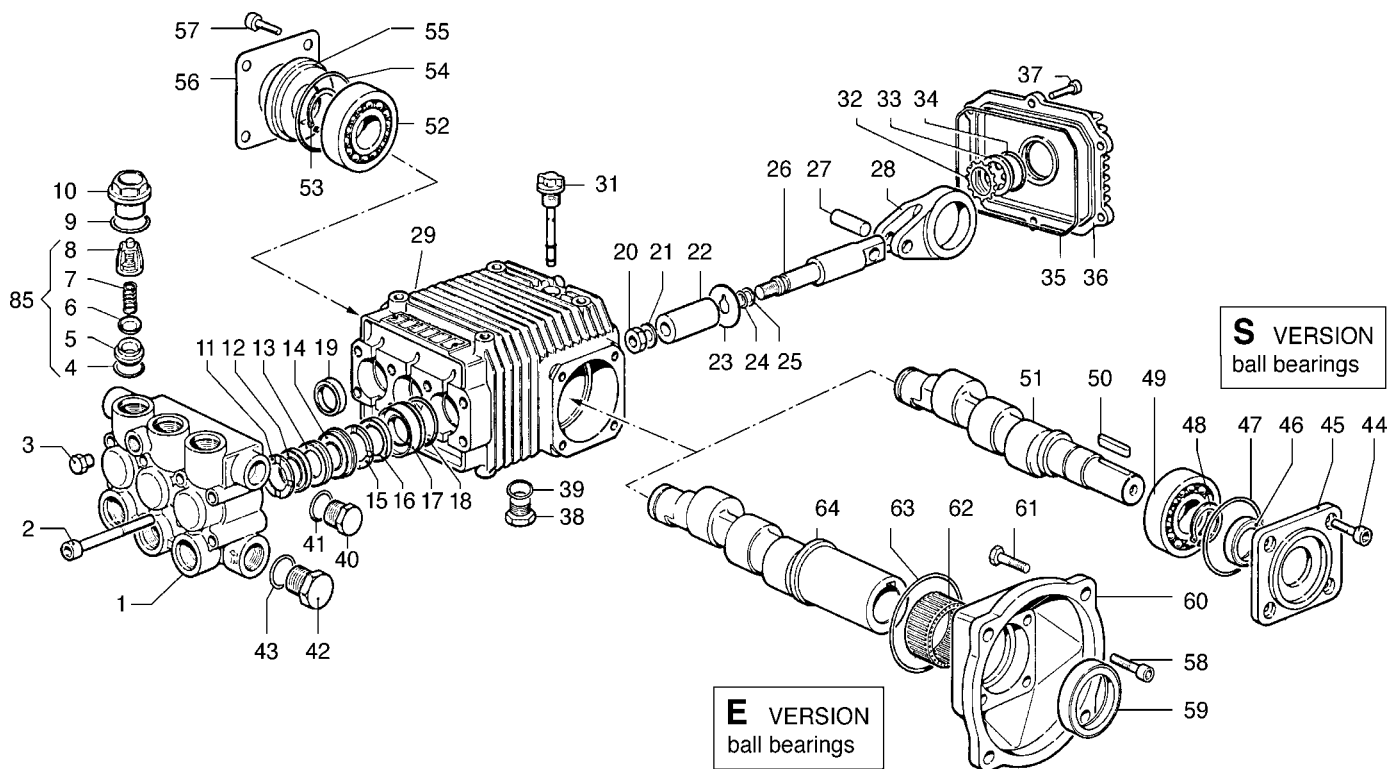


# FW VERSION - CUSCINETTI A SFERE / BALL BEARINGS - 1450 RPM

SOLO PER MODELLI / ONLY FOR MODELS 3525 S-E 4022 S-E



| POS. ITEM | CODICE PART No. | KIT KIT | DESCRIZIONE DESCRIPTION | Q.tà Qty. | MODELLI MODELS  |
|-----------|-----------------|---------|-------------------------|-----------|-----------------|
| 1         | 3218.0110.00    |         | MANIFOLD Ø 18 mm        | 1         |                 |
| 2         | 3609.0039.00    |         | SCREW M8X70             | 8         |                 |
| 3         | 3202.0112.00    |         | CAP G1/4                | 1         |                 |
| 4         | 1210.0046.00    | A-D     | O-RING 2,62X 17,13 mm   | 6         |                 |
| 5         | 3009.0087.00    | A       | VALVE SEAT              | 6         |                 |
| 6         | 3604.0017.00    | A       | VALVE PLATE             | 6         |                 |
| 7         | 1802.0177.00    | A       | SPRING                  | 6         |                 |
| 8         | 1205.0025.00    | A       | VALVE CAGE              | 6         |                 |
| 9         | 1210.0048.00    | A-D     | O-RING 2,62X 20,24 mm   | 6         |                 |
| 10        | 3202.0155.00    |         | CAP                     | 6         |                 |
| 11        | 0009.0199.00    | B       | HEAD RING Ø18 mm        | 3         |                 |
| 12        | 1241.0026.00    | B       | PACKING Ø18 mm          | 3         |                 |
| 13        | 0009.0100.00    | B       | PACKING Ø18 mm          | 3         |                 |
| 14        | 0009.0200.00    |         | INTERMED. RING Ø18 mm   | 3         |                 |
| 15        | 0009.0199.00    | B       | HEAD RING Ø18 mm        | 3         |                 |
| 16        | 1241.0026.00    | B       | PACKING Ø18 mm          | 3         |                 |
| 17        | 0009.0102.00    |         | PACKING RETAINER Ø18mm  | 3         |                 |
| 18        | 1210.0156.00    | B-D     | O-RING 1,78X31,47 mm    | 3         |                 |
| 19        | 0019.0066.00    | D       | OIL SEAL 20X30X5 mm     | 3         |                 |
| 20        | 0600.0054.00    | C       | NUT                     | 3         |                 |
| 21        | 2811.0082.00    | C       | WASHER 8,2X17X1,5 mm    | 3         |                 |
| 22        | 0202.0022.00    | C       | PISTON Ø18              | 3         |                 |
| 23        | 2812.0042.00    | C       | WASHER                  | 3         |                 |
| 24        | 1210.0039.00    | C-D     | O-RING 1,78X 7,66 mm    | 3         |                 |
| 25        | 0009.0170.00    | C-D     | ANTI-EXTR. RING         | 3         |                 |
| 26        | 2409.0048.00    |         | PISTON GUIDES           | 3         |                 |
| 27        | 3011.0016.00    |         | WRIST. PIN Ø10X29 mm    | 3         |                 |
| 28        | 0205.0046.00    |         | CON. ROD                | 3         |                 |
| 29        | 0403.0129.00    |         | CRANKCASE               | 1         | 3525 S - 4022 S |
|           | 0403.0130.00    |         | CRANKCASE               | 1         | 3525 E - 4022 E |
| 31        | 3200.0051.00    |         | OIL DIPSTICK            | 1         |                 |
| 32        | 3019.0033.00    |         | SNAP RING Ø18 mm        | 1         |                 |
| 33        | 3201.0012.00    |         | OIL INDICATOR           | 1         |                 |
| 34        | 1210.0333.00    | D       | O-RING 1,78X23,52 mm    | 1         |                 |
| 35        | 1210.0216.00    | D       | O-RING 2,62X107,62 mm   | 1         |                 |
| 36        | 0402.0169.00    |         | CRANKCASE COVER         | 1         |                 |
| 37        | 3609.0030.00    |         | SCREW M5X20             | 6         |                 |
| 38        | 3200.0007.00    |         | CAP 3/8 GAS             | 1         |                 |
| 39        | 1210.0441.00    | D       | O-RING 2x14 mm          | 1         |                 |
| 40        | 3200.0007.00    |         | CAP 3/8 GAS             | 1         |                 |
| 41        | 2811.0084.00    |         | WASHER 16,7X22X1,5 mm   | 1         |                 |

| POS. ITEM | CODICE PART No. | KIT KIT | DESCRIZIONE DESCRIPTION  | Q.tà Qty. | MODELLI MODELS |
|-----------|-----------------|---------|--------------------------|-----------|----------------|
| 42        | 3202.0015.00    |         | CAP G1/2                 | 1         |                |
| 43        | 2811.0086.00    |         | WASHER 21,2X27X1,5 mm    | 1         |                |
| 52        | 0438.0071.00    |         | BALL BEARING 25X62X17 mm | 1         |                |
| 53        | 3019.0006.00    |         | SNAP RING C72            | 1         |                |
| 54        | 1210.0387.00    | D       | O-RING 3,53X55,56 mm     | 1         |                |
| 55        | 0402.0176.00    |         | SPACER                   | 1         |                |
| 56        | 1004.0015.00    |         | CRANKCASE COVER          | 1         |                |
| 57        | 3609.0068.00    |         | SCREW M6X12              | 4         |                |
| 85        | 1220.0030.00    |         | VALVE ASS. BLY.          | 6         |                |

## S version

| POS. ITEM | CODICE PART No. | KIT KIT | DESCRIZIONE DESCRIPTION  | Q.tà Qty. | MODELLI MODELS |
|-----------|-----------------|---------|--------------------------|-----------|----------------|
| 44        | 3609.0058.00    |         | SCREW M8X22              | 4         |                |
| 45        | 0402.0170.00    |         | FLANGE                   | 1         |                |
| 46        | 0019.0007.00    | D       | OIL SEAL 25X52X7 mm      | 1         |                |
| 47        | 1210.0388.00    | D       | O-RING                   | 1         |                |
| 48        | 3019.0006.00    |         | SNAP RING C72            | 1         |                |
| 49        | 0438.0071.00    |         | BALL BEARING 25X62X17 mm | 1         |                |
| 50        | 1602.0013.00    |         | KEY 8X7X30               | 1         |                |
| 51        | 0001.0324.00    |         | CRANKSHAFT Ø24 mm        | 1         | 3525 S         |
|           | 0001.0325.00    |         | CRANKSHAFT Ø24 mm        | 1         | 4022 S         |

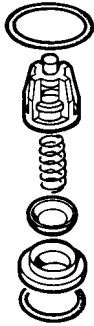
## E version

| POS. ITEM | CODICE PART No. | KIT KIT | DESCRIZIONE DESCRIPTION | Q.tà Qty. | MODELLI MODELS |
|-----------|-----------------|---------|-------------------------|-----------|----------------|
| 58        | 3609.0058.00    |         | SCREW M8X22             | 4         |                |
| 59        | 0019.0052.00    | D       | OIL SEAL 40X52X7 mm     | 1         |                |
| 60        | 3016.0018.00    |         | FLANGE                  | 1         |                |
| 61        | 3607.0026.00    |         | SCREW M8X25             | 4         |                |
| 62        | 0437.0027.00    |         | NEEDLE 40X47X20 mm      | 1         |                |
| 63        | 1210.0150.00    | D       | O-RING 2,62X63,17 mm    | 1         |                |
| 64        | 0001.0326.00    |         | CRANKSHAFT Ø28 mm       | 1         | 3525 E         |
|           | 0001.0328.00    |         | CRANKSHAFT Ø28 mm       | 1         | 4022 E         |

# FW VERSION - CUSCINETTI A SFERE / BALL BEARINGS - 1450 RPM

## KIT VALVOLA ASP.-MAND. COMPLETE VALVE KIT 5025.0011.00

### KIT A

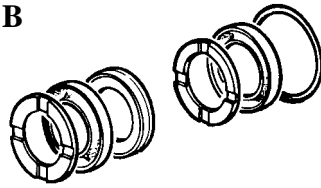


5025.0011.00

| POS. ITEM | CODICE PART No. | Q.tà Qty. |
|-----------|-----------------|-----------|
| 4         | 1210.0046.00    | 6         |
| 5         | 3009.0087.00    | 6         |
| 6         | 3604.0017.00    | 6         |
| 7         | 1802.0177.00    | 6         |
| 8         | 1205.0025.00    | 6         |
| 9         | 1210.0048.00    | 6         |

## KIT GUARNIZIONI PISTONE / PISTON SEAL KIT Ø 18 mm 5019.0038.00

### KIT B

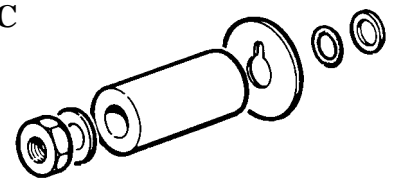


5019.0038.00

| POS. ITEM | CODICE PART No. | Q.tà Qty. |
|-----------|-----------------|-----------|
| 11        | 0009.0199.00    | 3         |
| 12        | 1241.0026.00    | 3         |
| 13        | 0009.0100.00    | 3         |
| 15        | 0009.0199.00    | 3         |
| 16        | 1241.0026.00    | 3         |
| 18        | 1210.0156.00    | 3         |

## KIT PISTONE / PISTON KIT Ø 18 mm 2409.0073.00

### KIT C

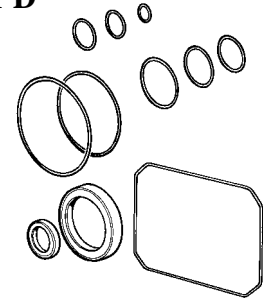


2409.0073.00

| POS. ITEM | CODICE PART No. | Q.tà Qty. |
|-----------|-----------------|-----------|
| 20        | 0600.0054.00    | 3         |
| 21        | 2811.0082.00    | 3         |
| 22        | 0202.0022.00    | 3         |
| 23        | 2812.0042.00    | 3         |
| 24        | 1210.0039.00    | 3         |
| 25        | 0009.0170.00    | 3         |

## KIT GUARNIZIONI POMPA / SEAL KIT ALBERO MASCHIO / SOLID SHAFT 5019.0066.00 ALBERO FEMMINA / HOLLOW SHAFT 5019.0043.00

### KIT D



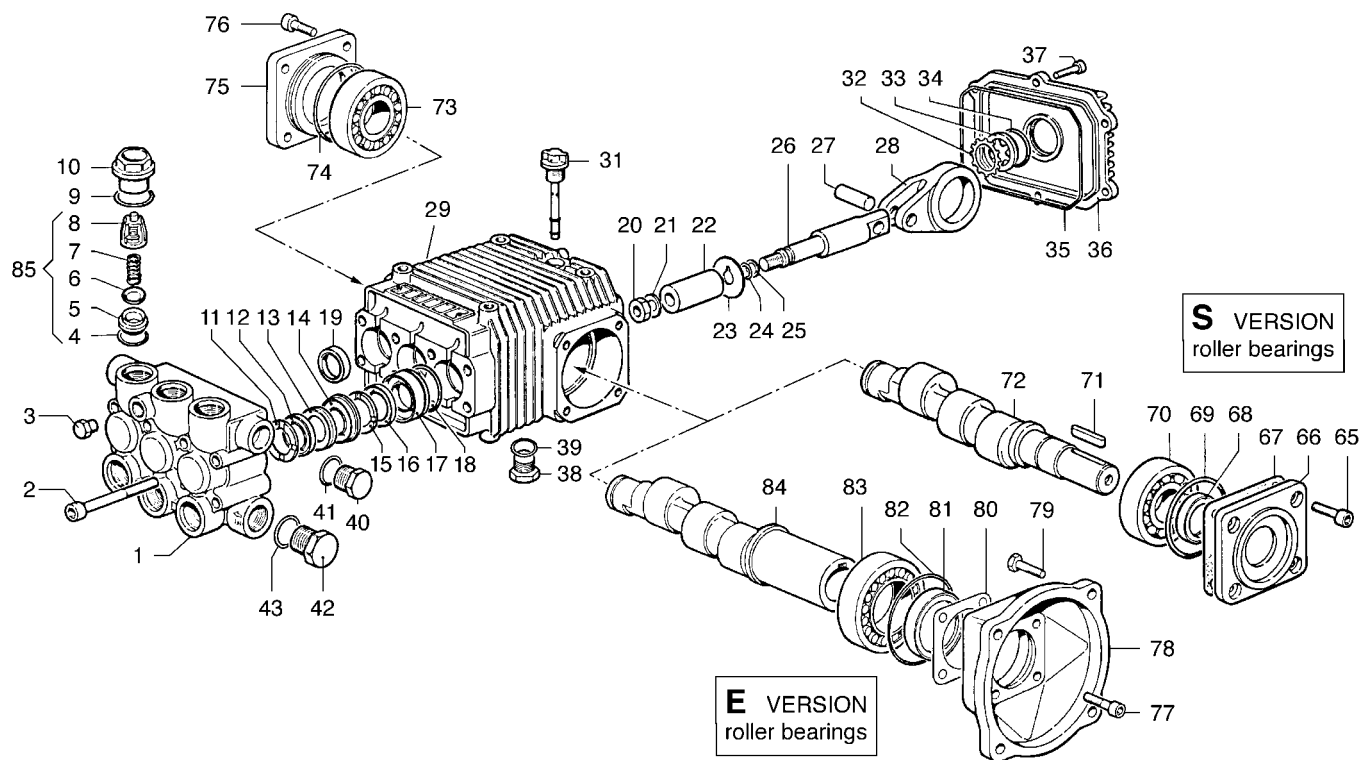
5019.0066.00

| POS. ITEM | CODICE PART No. | Q.tà Qty. |
|-----------|-----------------|-----------|
| 4         | 1210.0046.00    | 6         |
| 9         | 1210.0048.00    | 6         |
| 18        | 1210.0156.00    | 3         |
| 19        | 0019.0066.00    | 3         |
| 24        | 1210.0039.00    | 3         |
| 25        | 0009.0170.00    | 3         |
| 34        | 1210.0333.00    | 1         |
| 35        | 1210.0216.00    | 1         |
| 39        | 1210.0441.00    | 1         |
| 46        | 0019.0007.00    | 1         |
| 47        | 1210.0388.00    | 1         |
| 54        | 1210.0387.00    | 1         |

5019.0043.00

| POS. ITEM | CODICE PART No. | Q.tà Qty. |
|-----------|-----------------|-----------|
| 4         | 1210.0046.00    | 6         |
| 9         | 1210.0048.00    | 6         |
| 18        | 1210.0156.00    | 3         |
| 19        | 0019.0066.00    | 3         |
| 24        | 1210.0039.00    | 3         |
| 25        | 0009.0170.00    | 3         |
| 34        | 1210.0333.00    | 1         |
| 35        | 1210.0216.00    | 1         |
| 39        | 1210.0441.00    | 1         |
| 54        | 1210.0387.00    | 1         |
| 59        | 0019.0052.00    | 1         |
| 63        | 1210.0150.00    | 1         |

# FW VERSION - CUSCINETTI A RULLI / *ROLLER BEARINGS* - 1450 RPM



| POS. ITEM | CODICE PART No. | KIT KIT | DESCRIZIONE DESCRIPTION | Q.tà Qty. | MODELLI MODELS  |
|-----------|-----------------|---------|-------------------------|-----------|---|
| 1         | 3218.0109.00    |         | MANIFOLD Ø20 mm         | 1         | 5023 S - 5023 E<br>5030 S - 5522 S<br>5522 E - 5526 S<br>5530 S |
|           | 3218.0110.00    |         | MANIFOLD Ø 18 mm        | 1         | 3016 S - 3525 S<br>3525 E - 3530 S<br>3530 E - 4030 S<br>4030 E |
| 2         | 3609.0039.00    |         | SCREW M8X70             | 8         |   |
| 3         | 3202.0112.00    |         | CAP G1/4                | 1         |   |
| 4         | 1210.0046.00    | A-D     | O-RING 2,62X 17,13 mm   | 6         |   |
| 5         | 3009.0087.00    | A       | VALVE SEAT              | 6         |   |
| 6         | 3604.0017.00    | A       | VALVE PLATE             | 6         |   |
| 7         | 1802.0177.00    | A       | SPRING                  | 6         |   |
| 8         | 1205.0025.00    | A       | VALVE CAGE              | 6         |   |
| 9         | 1210.0048.00    | A-D     | O-RING 2,62X 20,24 mm   | 6         |   |
| 10        | 3202.0155.00    |         | CAP                     | 6         |   |
| 11        | 0009.0108.00    | B       | HEAD RING Ø20 mm        | 3         | 5023 S - 5023 E<br>5030 S - 5522 S<br>5522 E - 5526 S<br>5530 S |
|           | 0009.0199.00    | B       | HEAD RING Ø18 mm        | 3         | 3016 S - 3525 S<br>3525 E - 3530 S<br>3530 E - 4030 S<br>4030 E |
| 12        | 1241.0032.00    | B       | PACKING Ø20 mm          | 3         | 5023 S - 5023 E<br>5030 S - 5522 S<br>5522 E - 5526 S<br>5530 S |
|           | 1241.0026.00    | B       | PACKING Ø18 mm          | 3         | 3016 S - 3525 S<br>3525 E - 3530 S<br>3530 E - 4030 S<br>4030 E |
| 13        | 0009.0104.00    | B       | PACKING Ø20 mm          | 3         | 5023 S - 5023 E<br>5030 S - 5522 S<br>5522 E - 5526 S<br>5530 S |
|           | 0009.0100.00    | B       | PACKING Ø18 mm          | 3         | 3016 S - 3525 S<br>3525 E - 3530 S<br>3530 E - 4030 S<br>4030 E |

| POS. ITEM | CODICE PART No. | KIT KIT | DESCRIZIONE DESCRIPTION | Q.tà Qty. | MODELLI MODELS  |
|-----------|-----------------|---------|-------------------------|-----------|---|
| 14        | 0009.0114.00    |         | INTERMED. RING Ø20 mm   | 3         | 5023 S - 5023 E<br>5030 S - 5522 S<br>5522 E - 5526 S<br>5530 S |
|           | 0009.0200.00    |         | INTERMED. RING Ø18 mm   | 3         | 3016 S - 3525 S<br>3525 E - 3530 S<br>3530 E - 4030 S<br>4030 E |
| 15        | 0009.0108.00    | B       | HEAD RING Ø20 mm        | 3         | 5023 S - 5023 E<br>5030 S - 5522 S<br>5522 E - 5526 S<br>5530 S |
|           | 0009.0199.00    | B       | HEAD RING Ø18 mm        | 3         | 3016 S - 3525 S<br>3525 E - 3530 S<br>3530 E - 4030 S<br>4030 E |
| 16        | 1241.0032.00    | B       | PACKING Ø 20 mm         | 3         | 5023 S - 5023 E<br>5030 S - 5522 S<br>5522 E - 5526 S<br>5530 S |
|           | 1241.0026.00    | B       | PACKING Ø 18 mm         | 3         | 3016 S - 3525 S<br>3525 E - 3530 S<br>3530 E - 4030 S<br>4030 E |
| 17        | 0009.0106.00    |         | PACKING RETAINER Ø20 mm | 3         | 5023 S - 5023 E<br>5030 S - 5522 S<br>5522 E - 5526 S<br>5530 S |
|           | 0009.0102.00    |         | PACKING RETAINER Ø18 mm | 3         | 3016 S - 3525 S<br>3525 E - 3530 S<br>3530 E - 4030 S<br>4030 E |
| 18        | 1210.0156.00    | B-D     | O-RING 1,78X31,47 mm    | 3         |   |
| 19        | 0019.0066.00    | D       | OIL SEAL 20X30X5 mm     | 3         |   |
| 20        | 0600.0054.00    | C       | NUT                     | 3         |   |
| 21        | 2811.0082.00    | C       | WASHER 8,2X17X1,5 mm    | 3         |   |
| 22        | 0202.0024.00    | C       | PISTON Ø20 mm           | 3         | 5023 S - 5023 E<br>5030 S - 5522 S<br>5522 E - 5526 S<br>5530 S |
|           | 0202.0022.00    | C       | PISTON Ø18 mm           | 3         | 3016 S - 3525 S<br>3525 E - 3530 S<br>3530 E - 4030 S<br>4030 E |

# FW VERSION - CUSCINETTI A RULLI / *ROLLER BEARINGS* - 1450 RPM

| POS. ITEM | CODICE PART No. | KIT KIT | DESCRIZIONE DESCRIPTION | Q.tà Qty. | MODELLI MODELS  |
|-----------|-----------------|---------|-------------------------|-----------|---|
| 23        | 2812.0042.00    | C       | WASHER                  | 3         |   |
| 24        | 1210.0039.00    | C-D     | O-RING 1,78X 7,66 mm    | 3         |   |
| 25        | 0009.0170.00    | C-D     | ANTI-EXTR. RING         | 3         |   |
| 26        | 2409.0048.00    |         | PISTON GUIDES           | 3         |   |
| 27        | 3011.0016.00    |         | WRIST. PIN Ø10X29 mm    | 3         |   |
| 28        | 0205.0044.00    |         | CON. ROD                | 3         |   |
| 29        | 0403.0129.00    |         | CRANKCASE               | 1         | 3016 S - 3527 S<br>3525 S - 3530 S<br>4030 S - 5023 S<br>5030 S - 5522 S<br>5526 S - 5530 S |
|           | 0403.0130.00    |         | CRANKCASE               | 1         | 3525 E - 3530 E<br>4030 E - 5023 E<br>5522 E  |
| 31        | 3200.0051.00    |         | OIL DIPSTICK            | 1         |   |
| 32        | 3019.0033.00    |         | SNAP RING Ø18 mm        | 1         |   |
| 33        | 3201.0012.00    |         | OIL INDICATOR           | 1         |   |
| 34        | 1210.0333.00    | D       | O-RING 1,78X23,52 mm    | 1         |   |
| 35        | 1210.0216.00    | D       | O-RING 2,62X107,62 mm   | 1         |   |
| 36        | 0402.0169.00    |         | CRANCKCASE COVER        | 1         |   |
| 37        | 3609.0030.00    |         | SCREW M5X20             | 6         |   |
| 38        | 3200.0007.00    |         | CAP 3/8 GAS             | 1         |   |
| 39        | 1210.0441.00    | D       | O-RING 2x14 mm          | 1         |   |
| 40        | 3200.0007.00    |         | CAP 3/8 GAS             | 1         |   |
| 41        | 2811.0084.00    |         | WASHER 16,7X22X1,5 mm   | 1         |   |
| 42        | 3202.0015.00    |         | CAP G1/2                | 1         |   |
| 43        | 2811.0086.00    |         | WASHER 21,2X27X1,5 mm   | 1         |   |
| 73        | 0440.0012.00    |         | ROLLER BEARING          | 2         |   |
| 74        | 1210.0388.00    | D       | O-RING                  | 1         |   |
| 75        | 0402.0171.00    |         | FLANGE                  | 1         |   |
| 76        | 3609.0032.00    |         | SCREW M6X20             | 4         |   |
| 85        | 1220.0030.00    |         | VALVE ASS. BLY.         | 6         |   |

## S version

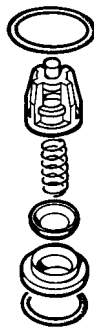
| POS. ITEM | CODICE PART No. | KIT KIT | DESCRIZIONE DESCRIPTION | Q.tà Qty. | MODELLI MODELS            |
|-----------|-----------------|---------|-------------------------|-----------|---------------------------|
| 65        | 3609.0058.00    |         | SCREW M8X22             | 4         |                           |
| 66        | 0402.0170.00    |         | FLANGE                  | 1         |                           |
| 67        | 0601.0218.00    |         | SHIM Ø62 0,05 mm        | 1         |                           |
|           | 0601.0220.00    |         | SHIM Ø62 0,10 mm        | 1         |                           |
|           | 0601.0222.00    |         | SHIM Ø62 0,19 mm        | 1         |                           |
|           | 0601.0259.00    |         | SHIM Ø62 0,25 mm        | 1         |                           |
| 68        | 0019.0007.00    | D       | OIL SEAL 25X52X7 mm     | 1         |                           |
| 69        | 1210.0388.00    | D       | O-RING                  | 1         |                           |
| 70        | 0440.0012.00    |         | ROLLER BEARING          | 1         |                           |
| 71        | 1602.0013.00    |         | KEY 8X7X30 mm           | 1         |                           |
| 72        | 0001.0323.00    |         | CRANKSHAFT Ø24 mm       | 1         | 5522 S - 5526 S<br>5530 S |
|           | 0001.0324.00    |         | CRANKSHAFT Ø24 mm       | 1         | 3525 S - 3530 S           |
|           | 0001.0325.00    |         | CRANKSHAFT Ø24 mm       | 1         | 4030 S - 5023 S<br>5030 S |
|           | 0001.0345.00    |         | CRANKSHAFT Ø24 mm       | 1         | 3016 S                    |

## E version

| POS. ITEM | CODICE PART No. | KIT KIT | DESCRIZIONE DESCRIPTION | Q.tà Qty. | MODELLI MODELS  |
|-----------|-----------------|---------|-------------------------|-----------|-----------------|
| 77        | 3609.0058.00    |         | SCREW M8X22             | 4         |                 |
| 78        | 3016.0015.00    |         | FLANGE                  | 1         |                 |
| 79        | 3607.0026.00    |         | SCREW M8X25             | 4         |                 |
| 80        | 0601.0210.00    |         | SHIM Ø68 0,05 mm        | 1         |                 |
|           | 0601.0212.00    |         | SHIM Ø68 0,10 mm        | 1         |                 |
|           | 0601.0214.00    |         | SHIM Ø68 0,19 mm        | 1         |                 |
|           | 0601.0216.00    |         | SHIM Ø68 0,25 mm        | 1         |                 |
| 81        | 0019.0052.00    | D       | OIL RING 40X52X7 mm     | 1         |                 |
| 82        | 1210.0109.00    | D       | O-RING 1,78X 63,22 mm   | 1         |                 |
| 83        | 0440.0011.00    |         | ROLLER BEARING 40X68X19 | 1         |                 |
| 84        | 0001.0326.00    |         | CRANKSHAFT Ø28 mm       | 1         | 3525 E - 3530 E |
|           | 0001.0328.00    |         | CRANKSHAFT Ø28 mm       | 1         | 4030 E - 5023 E |
|           | 0001.0349.00    |         | CRANKSHAFT Ø28 mm       | 1         | 5522 E          |

### KIT VALVOLA ASP.-MAND. COMPLETE VALVE KIT 5025.0011.00

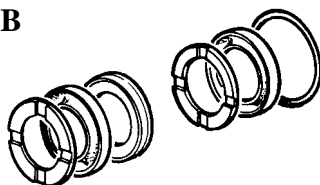
#### KIT A



| 5025.0011.00 |                 |           |
|--------------|-----------------|-----------|
| POS. ITEM    | CODICE PART No. | Q.tà Qty. |
| 4            | 1210.0046.00    | 6         |
| 5            | 3009.0087.00    | 6         |
| 6            | 3604.0017.00    | 6         |
| 7            | 1802.0177.00    | 6         |
| 8            | 1205.0025.00    | 6         |
| 9            | 1210.0048.00    | 6         |

### KIT GUARNIZIONI PISTONE / PISTON SEAL KIT Ø 18 mm 5019.0038.00 - Ø 20 mm 5019.0039.00

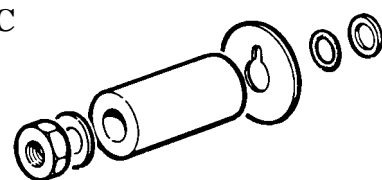
#### KIT B



| 5019.0038.00 |                 |           | 5019.0039.00 |                 |           |
|--------------|-----------------|-----------|--------------|-----------------|-----------|
| POS. ITEM    | CODICE PART No. | Q.tà Qty. | POS. ITEM    | CODICE PART No. | Q.tà Qty. |
| 11           | 0009.0199.00    | 3         | 11           | 0009.0108.00    | 3         |
| 12           | 1241.0026.00    | 3         | 12           | 1241.0032.00    | 3         |
| 13           | 0009.0100.00    | 3         | 13           | 0009.0104.00    | 3         |
| 15           | 0009.0199.00    | 3         | 15           | 0009.0108.00    | 3         |
| 16           | 1241.0026.00    | 3         | 16           | 1241.0032.00    | 3         |
| 18           | 1210.0156.00    | 3         | 18           | 1210.0156.00    | 3         |

### KIT PISTONE / PISTON KIT Ø 18 mm 2409.0073.00 - Ø 20 mm 2409.0074.00

#### KIT C



| 2409.0073.00 |                 |           | 2409.0074.00 |                 |           |
|--------------|-----------------|-----------|--------------|-----------------|-----------|
| POS. ITEM    | CODICE PART No. | Q.tà Qty. | POS. ITEM    | CODICE PART No. | Q.tà Qty. |
| 20           | 0600.0054.00    | 3         | 20           | 0600.0054.00    | 3         |
| 21           | 2811.0082.00    | 3         | 21           | 2811.0082.00    | 3         |
| 22           | 0202.0022.00    | 3         | 22           | 0202.0024.00    | 3         |
| 23           | 2812.0042.00    | 3         | 23           | 2812.0042.00    | 3         |
| 24           | 1210.0039.00    | 3         | 24           | 1210.0039.00    | 3         |
| 25           | 0009.0170.00    | 3         | 25           | 0009.0170.00    | 3         |

### KIT GUARNIZIONI POMPA / SEAL KIT ALBERO MASCHIO / SOLID SHAFT 5019.0044.00 ALBERO FEMMINA / HOLLOW SHAFT 5019.0045.00

| 5019.0044.00 |                 |           | 5019.0045.00 |                 |           |
|--------------|-----------------|-----------|--------------|-----------------|-----------|
| POS. ITEM    | CODICE PART No. | Q.tà Qty. | POS. ITEM    | CODICE PART No. | Q.tà Qty. |
| 4            | 1210.0046.00    | 6         | 4            | 1210.0046.00    | 6         |
| 9            | 1210.0048.00    | 6         | 9            | 1210.0048.00    | 6         |
| 18           | 1210.0156.00    | 3         | 18           | 1210.0156.00    | 3         |
| 19           | 0019.0066.00    | 3         | 19           | 0019.0066.00    | 3         |
| 24           | 1210.0039.00    | 3         | 24           | 1210.0039.00    | 3         |
| 25           | 0009.0170.00    | 3         | 25           | 0009.0170.00    | 3         |
| 34           | 1210.0333.00    | 1         | 34           | 1210.0333.00    | 1         |
| 35           | 1210.0216.00    | 1         | 35           | 1210.0216.00    | 1         |
| 39           | 1210.0441.00    | 1         | 39           | 1210.0441.00    | 1         |
| 68           | 0019.0007.00    | 1         | 74           | 1210.0388.00    | 1         |
| 69           | 1210.0388.00    | 1         | 81           | 0019.0052.00    | 1         |
| 74           | 1210.0388.00    | 1         | 82           | 1210.0109.00    | 1         |

#### KIT D

