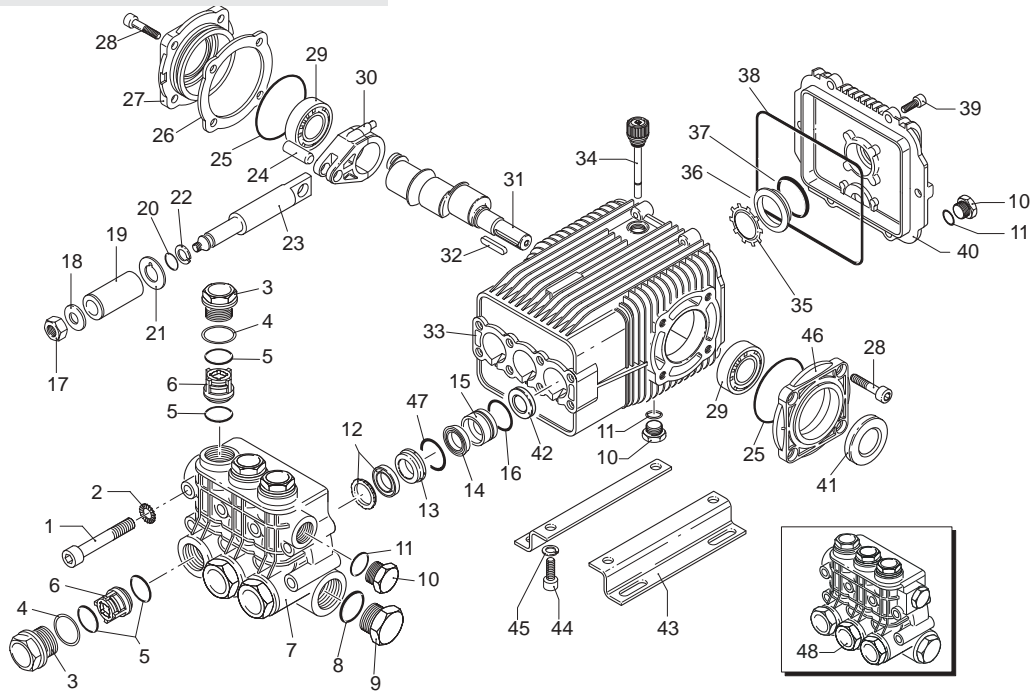


CWX 950/1200/1750 RPM



Pos.	Code	Description	Qty.
1	1941360	Head bolt (442 in/lbs)	8
2	650530	Washer	8
3	1940140	Valve cap (602 in/lbs)	8
4	1941970	Valve cap 1/4" threaded	1
5	1940150	Back-up ring	6
6	1140450	O-Ring	12
7	1949050	Complete valve	6
8	1940021	Pump head	1
9	550350	O-Ring	1
10	1140300	Plug 3/4G	1
11	1940780	Plug 3/8G	3
12	740290	O-Ring	3
13	1940440	High pressure packing w/ring	3
14	1940430	Front piston guide	3
15	1940470	Low pressure seal	3
16	1940450	Rear piston guide	3
17	820490	O-Ring	3
18	1940570	Nut (106 in/lbs)	3
19	1940580	Washer	3
20	1420430	Piston	3
21	880840	O-Ring	3
22	960460	Slinger	3
23	1940120	Back-up ring	3
24	1940070	Guiding piston	3
25	1940060	Piston pin	3
26	1941380	O-Ring	3
27	1941390	0,05 mm shim	1-3
28	1941400	0,10 mm shim	1-3
29	1941410	0,19 mm shim	1-3
30	1941420	0,25 mm shim	1-3
31	1949011	Complete side cover	1
32	850370	Bolt (217 in/lbs)	8
33	1140410	Bearing	2
34	1940050	Con-rod (89 in/lbs)	3
35	1940180	Crankshaft	○□ 1
36	1940530	Crankshaft	▽ 1
37	650250	Key	1
38	1941330	Pump housing	1
39	1140370	Oil cap	1
40	1260430	Snap ring	1
41	1260250	Oil sight glass	1
42	1140450	O-Ring	1
43	1940410	O-Ring	1

Pos.	Code	Description	Qty.
39	1200430	Bolt (89 in/lbs)	6
40	1949010	Complete cover	1
41	820680	Oil seal	1
42	1940560	Oil seal	3
43	1940370	Mounting rail	2
43b	2748	1-1/4" Rail Kit	1
44	1940380	Bolt	4
45	200231	Washer	4
46	1941240	Open bearing support	1
47	1941220	Split support ring	3
48	1949200	Complete pump head	1

Legend		
Ø20	Ø20	Ø20
950 RPM	1200 RPM	1750 RPM
For ○	For □	For ▽
CWX15.17	CWX18.10	CWX15.17

Repair Kits			
Water Seals	Valves	Pistons	Oil Seals
Kit 2782	Kit 2780	Kit 2542	Kit 2781
Pos.	Qty.	Pos.	Qty.
12	3	5	12
14	3	6	6
16	3	17	3
51	3	18	3
		19	3
		20	3
		21	3
		22	3
		25	2
		37	1
		42	1
		43	3

Support Seals	
Kit 2784	
Pos.	Qty.
13	3
15	3

Special Parts		
Code	Description	Qty.
2778	Viton water seals Ø20	1