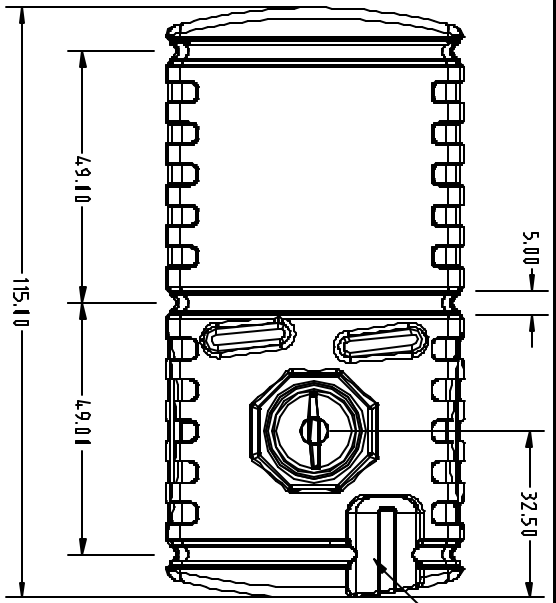
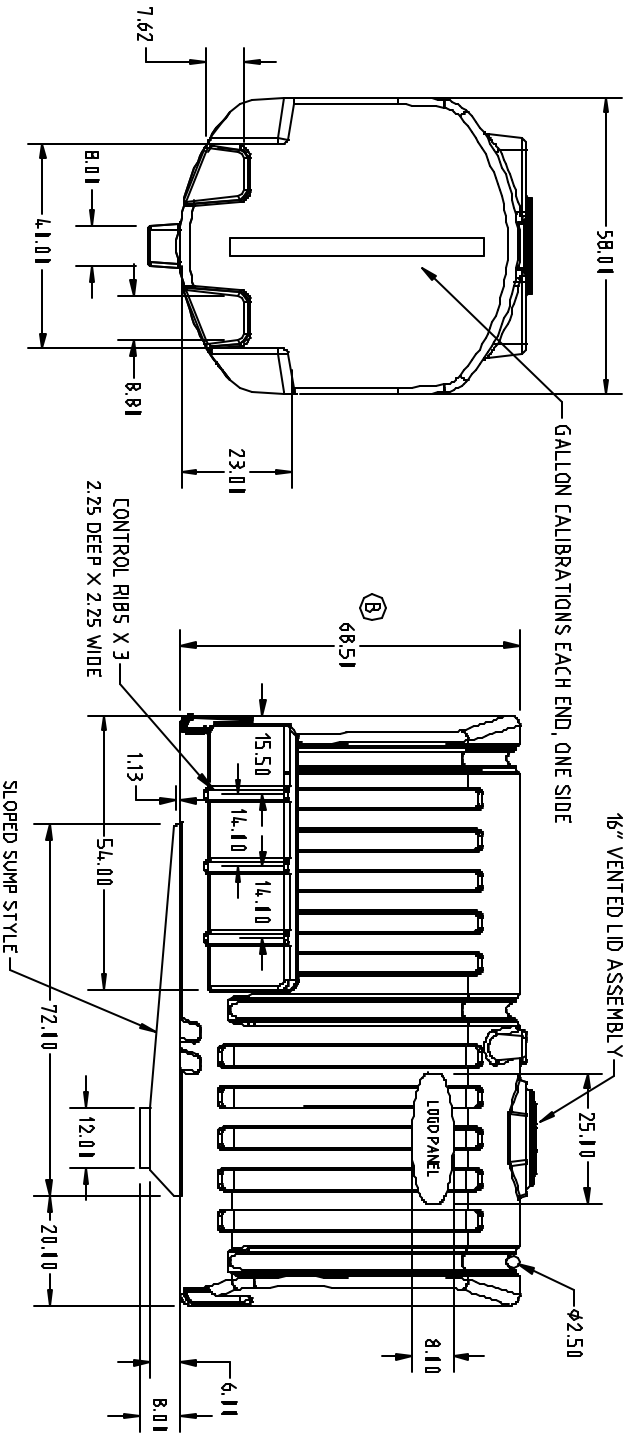


CC1500-58NS

B



5 GALLON RINSE TANK POCKET



		DRAWN / DATE	REH/5/30/02
B	68.50 WAS 70		8/22/02
A	70 WAS B6		8/4/02
REV	DESCRIPTION	DATE	APPRD

MATERIAL:  
483 LB. MDPE

**ACE ROTO-MOLD**  
A DIVISION OF DEN HARTOG INDUSTRIES, INC.  
4010 HWY. 60 BLVD., BOX 425 HOSPIERS, IOWA 51238

CLIENT / DESCRIPTION  
1500 GALLON NARROW CROP CARE TANK - SLOPED SUMP

ALL DIMENSIONS ARE IN DECIMAL INCHES  
TOLERANCES UNLESS OTHERWISE SPECIFIED  
± 1% @ 68° F

NOTES:  
1. AVAILABLE IN NATURAL OR YELLOW COLOR.  
2. NOM. WALL = .425

SCALE N.S.

PART NO. CC1500-58NS

