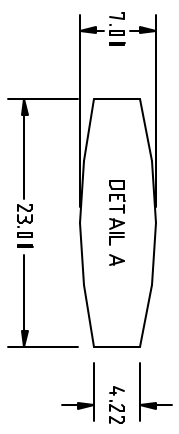


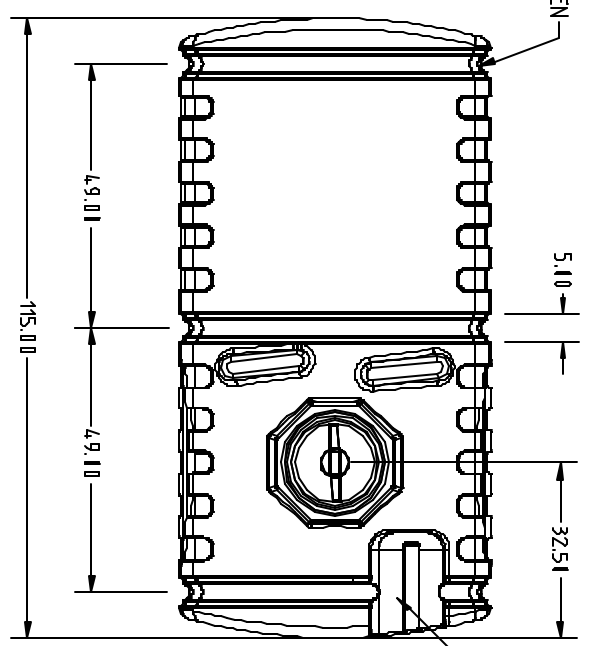
CC1500-58B

A

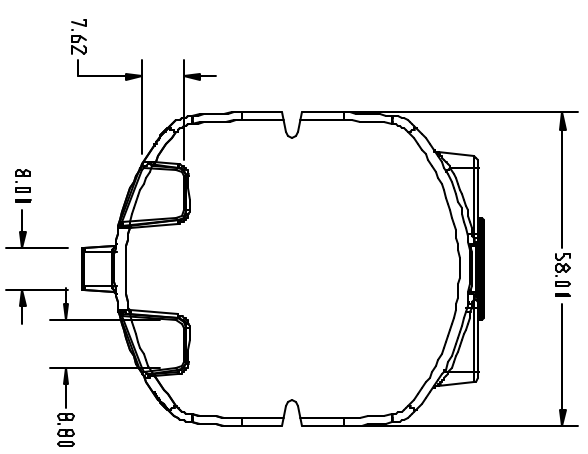
MAX. SIZE FOR CROP CARE GRAPHICS
INCLUDES BAKING PAPER



USE HOOPS TO FASTEN
TANK TO MACHINE

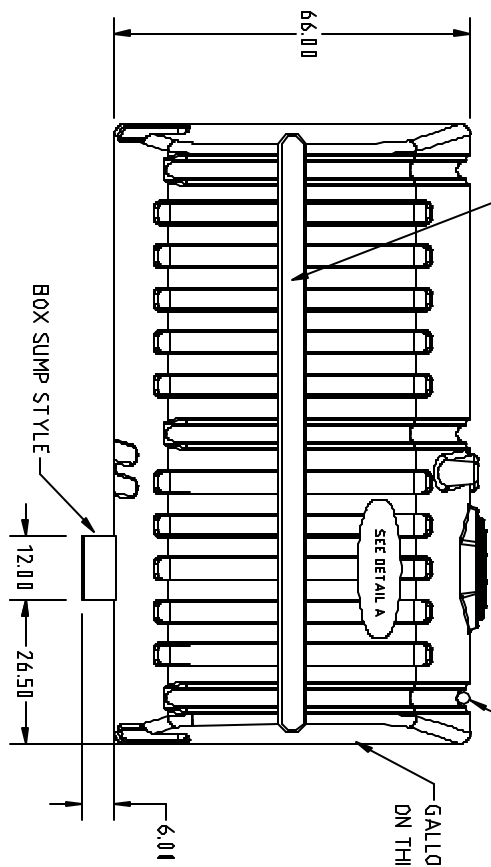


5 GALLON RINSE TANK POCKET



SIDEWALL SUPPORT GROOVE

16" VENTED LID ASSEMBLY



GALLON CALIBRATIONS
ON THIS END

| | |
|--------------------------------------|--|
| DRAWN / DATE | |
| REH/5/30/02 | |
| APPRD. / DATE | |
| REH/5/30/02 | |
| THIRD ANGLE PROJECTION ANSI 14.5M | |

| | |
|-----------|---|
| MATERIAL: | 483 LB. MDPE |
| NOTES: | 1. AVAILABLE IN NATURAL OR YELLOW COLOR. 2. NOM. WALL = .425 |

| | |
|--|---------------------------------------|
| ACE ROTO-MOLD | |
| A DIVISION OF DEN HARTOG INDUSTRIES, INC. | |
| 4010 HWY. 60 BLVD., BOX 425 HOSPIERS, IOWA 51238 | |
| CLIENT / DESCRIPTION | 1500 GALLON CROP CARE TANK - BOX SUMP |

| | |
|-------------|------------|
| RELEASED | 10/15/02 |
| DESCRIPTION | DATE APPRD |

| | |
|----------|------------|
| SCALE | N.S. |
| PART NO. | CC1500-58B |

ALL DIMENSIONS ARE IN DECIMAL INCHES
TOLERANCES UNLESS OTHERWISE SPECIFIED
± 1% @ 68° F