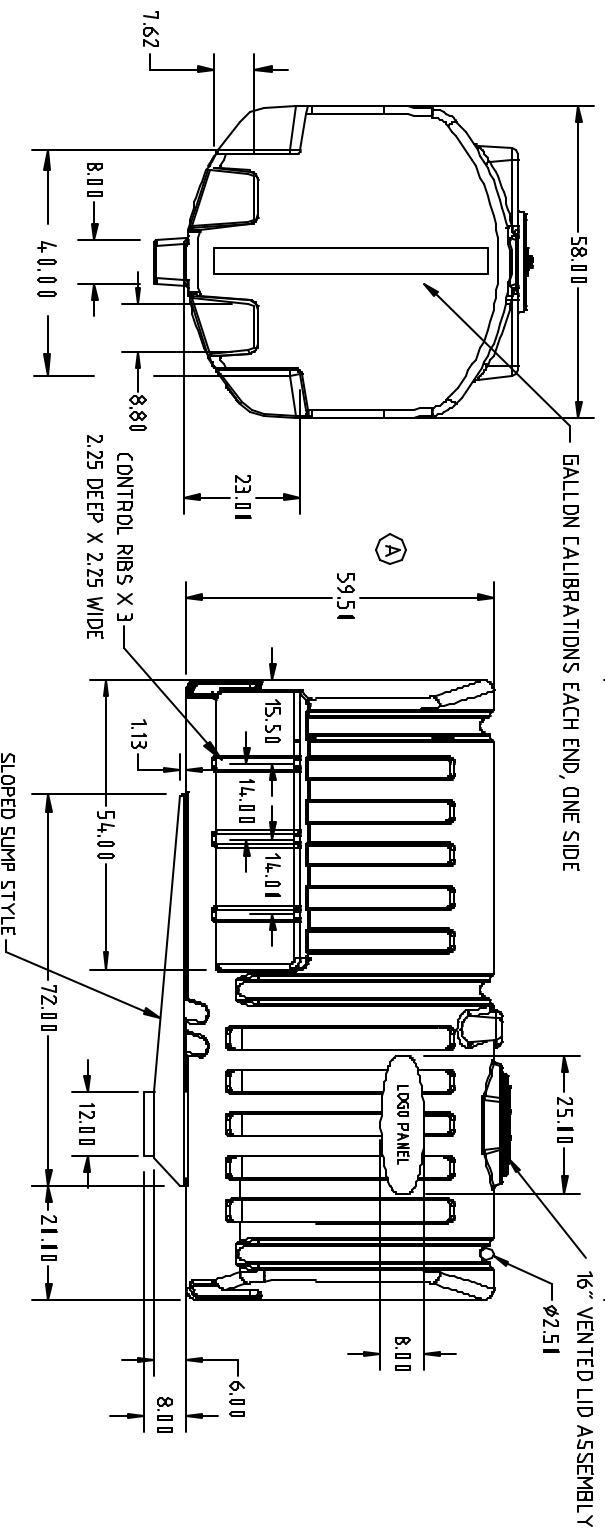
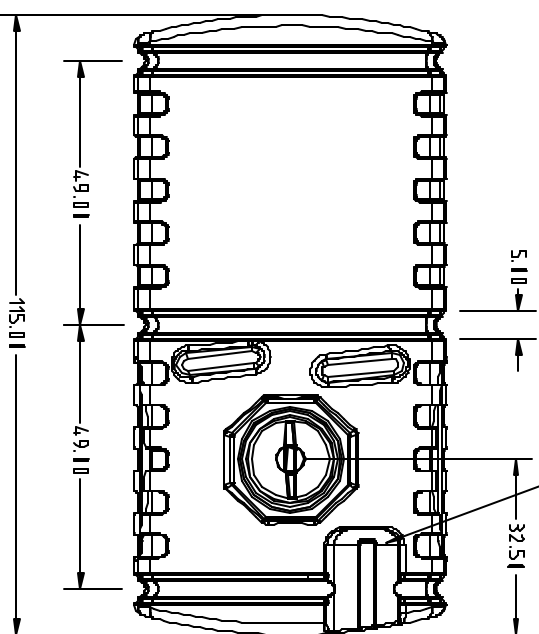


5 GALLON RINSE TANK POCKET

CC1250-58NS

A

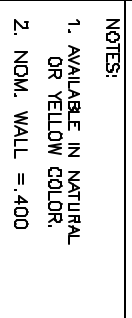


REV	DESCRIPTION	DATE	APPRD
A	59.50 WAS 61	8/22/02	

DRAWN / DATE	REH/7/13/02
APPRD. / DATE	REH/7/13/02

MATERIAL:	432 LB. MDPE
NOTES:	1. AVAILABLE IN NATURAL OR YELLOW COLOR. 2. NOM. WALL = .400
CLIENT / DESCRIPTION	1250 GALLON CROP CARE NARROW TANK - SLOPED SUMP

ALL DIMENSIONS ARE IN DECIMAL INCHES
TOLERANCES UNLESS OTHERWISE SPECIFIED
± 1% @ 68° F



ACE ROTO-MOLD
A DIVISION OF DEN HARTOG INDUSTRIES, INC.
4010 HWY. 60 BLVD., BOX 425 HOSPIERS, IOWA 51238

SCALE N.S. PART NO. CC1250-58NS