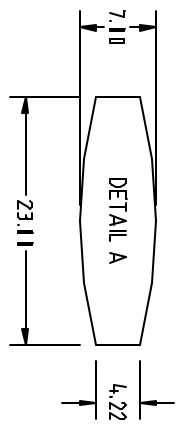


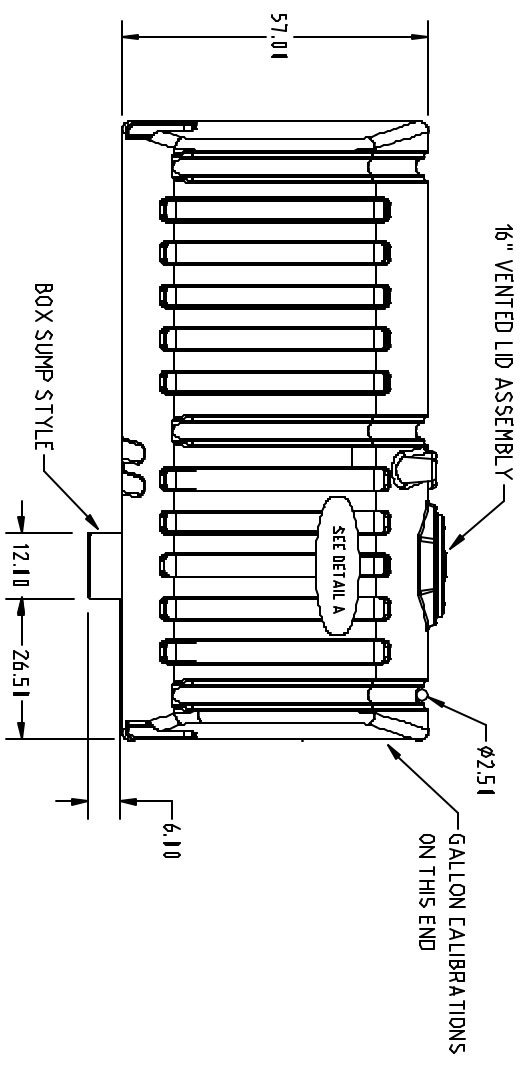
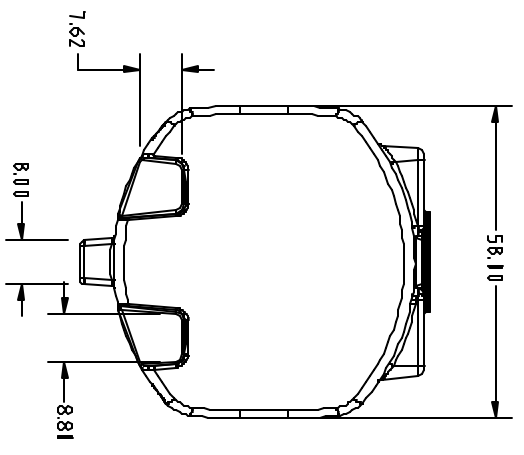
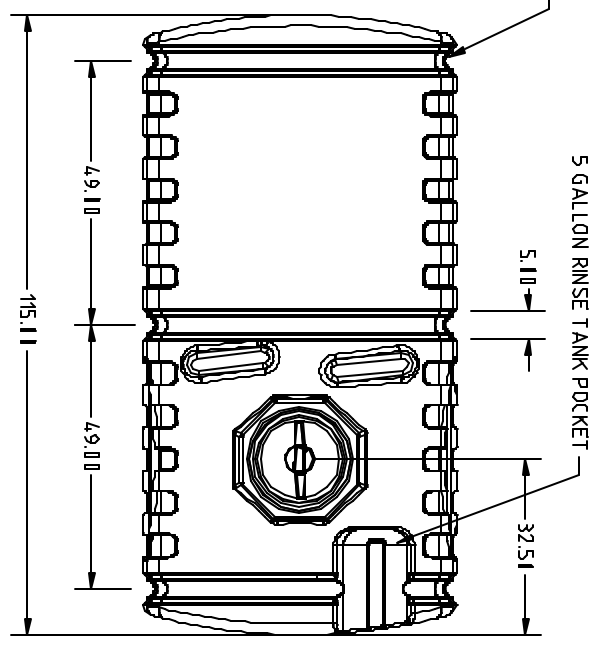
CC1250-58B

A

MAX. SIZE FOR CROP CARE GRAPHICS
INCLUDES BACKING PAPER



USE HOOPS TO FASTEN
TANK TO MACHINE

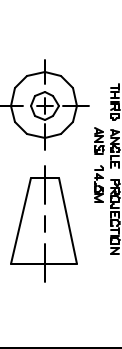


REV	DESCRIPTION	DATE	APPRD	DRAWN / DATE
A	RELEASED	10/15/02		REH/7/12/02
				APPRD. / DATE
				REH/7/12/02

MATERIAL:
432 LB. MDPE

ACE ROTO-MOLD
A DIVISION OF DEN HARTOG INDUSTRIES, INC.
4010 HWY. 60 BLVD., BOX 425 HOSPIERS, IOWA 51238

ALL DIMENSIONS ARE IN DECIMAL INCHES
TOLERANCES UNLESS OTHERWISE SPECIFIED
± 1% @ 98° F



NOTES:
1. AVAILABLE IN NATURAL OR YELLOW COLOR.
2. NOM. WALL = .400

CLIENT / DESCRIPTION
1250 GALLON CROP CARE TANK - BOX SUMP

SCALE N.S.

PART NO. CC1250-58B