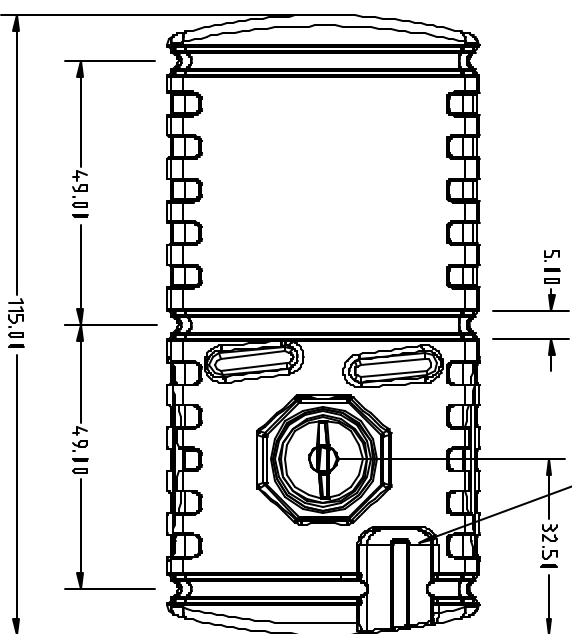


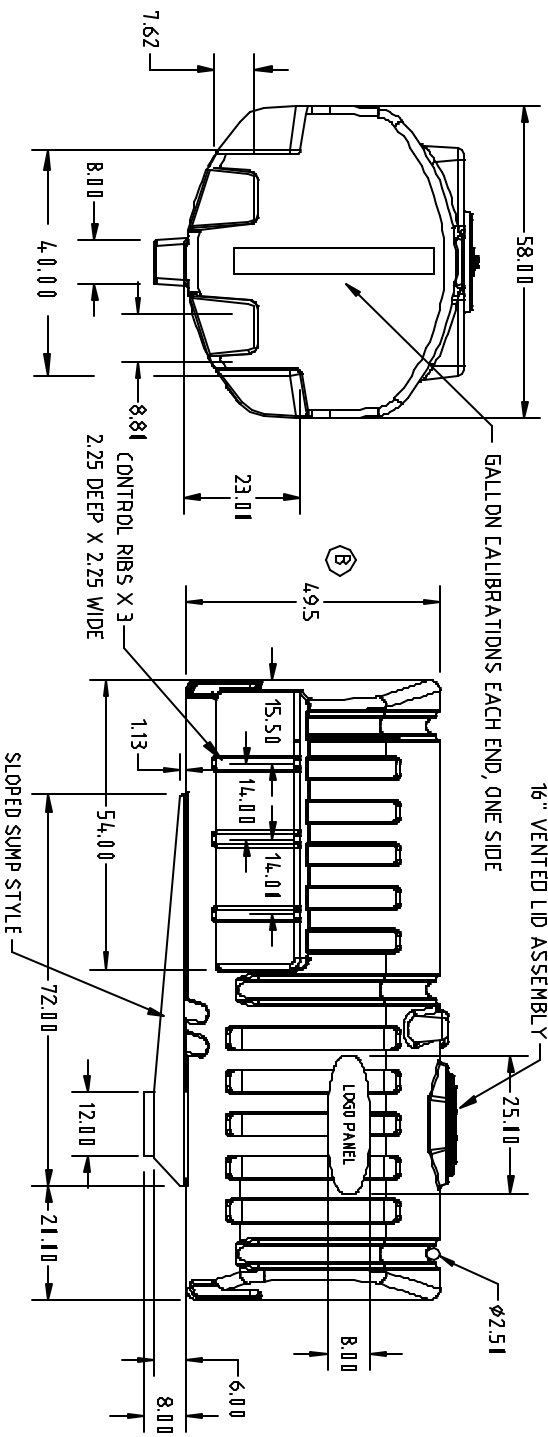
5 GALLON RINSE TANK POCKET



CC1000-58NS

B

GALLON CALIBRATIONS EACH END, ONE SIDE



16" VENTED LID ASSEMBLY

LOGO PANEL

REV	DESCRIPTION	DATE	APPRD
B	49.5 WAS 51	8/21/02	
A	51 WAS 47	6/4/02	

DRAWN / DATE	REH / DATE
	8/21/02
	6/4/02

MATERIAL	NOTES
306 LB. MDPE	1. AVAILABLE IN NATURAL OR YELLOW COLOR. 2. NOM. WALL = .320

THIRD ANGLE PROJECTION	ANSI 14.5M

SCALE	PART NO.
N.S.	CC1000-58NS

ACE ROTO-MOLD
 A DIVISION OF DEN HARTOG INDUSTRIES, INC.
 4010 HWY. 60 BLVD., BOX 425 HOSPER, IOWA 51238
 CLIENT / DESCRIPTION
 1000 GALLON CROP CARE NARROW TANK - SLOPED SUMP

ALL DIMENSIONS ARE IN DECIMAL INCHES
 TOLERANCES UNLESS OTHERWISE SPECIFIED
 ± 1% @ 68° F